

**Issued For**  
 Construction

**General Notes**  
 DO NOT SCALE FROM THIS DRAWING.  
 ALL DIMENSIONS TO BE VERIFIED ON SITE BY CONTRACTOR PRIOR TO COMMENCEMENT OF ANY SHOP DRAWINGS AND ANY WORK ON SITE. REPORT ALL DISCREPANCIES TO THE ARCHITECT/ENGINEER IMMEDIATELY. THIS DRAWING IS TO BE READ IN CONJUNCTION WITH ALL RELATED ARCHITECT/ ENGINEERS DRAWINGS / DETAILS AND ALL OTHER RELEVANT INFORMATION.

**Notes**

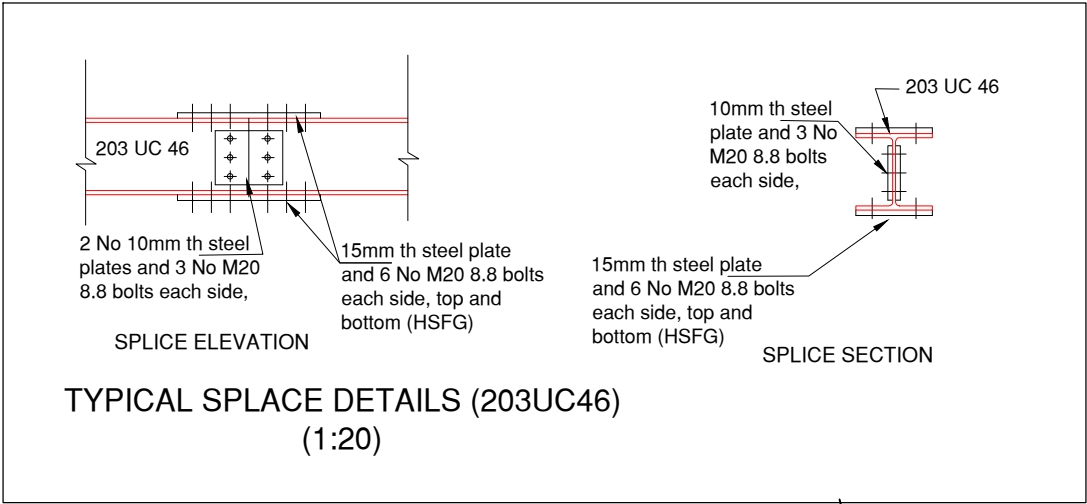
**Client**  
 -  
**Project**  
 57 Marloes Rd.  
 London, W8  
**Drawing Title**  
 BASEMENT FLOOR PLAN  
**Scale**  
 1:75@A3  
**Date**  
 Dec. 2016

**Client**  
 -  
**Project**  
 57 Marloes Rd.  
 London, W8  
**Drawing Title**  
 BASEMENT FLOOR PLAN  
**Scale**  
 1:75@A3  
**Date**  
 Dec. 2016

**Job No.**  
 -  
**Drawing No.**  
 01 - Rev C

**LIM ENGINEERING LTD**  
 consulting engineers  
 15 Kinloch Drive, London, Nw9 7LL - Tel: 020 8205 1427  
 Fax: 020 8205 1427

Notes:  
For General notes see GN1

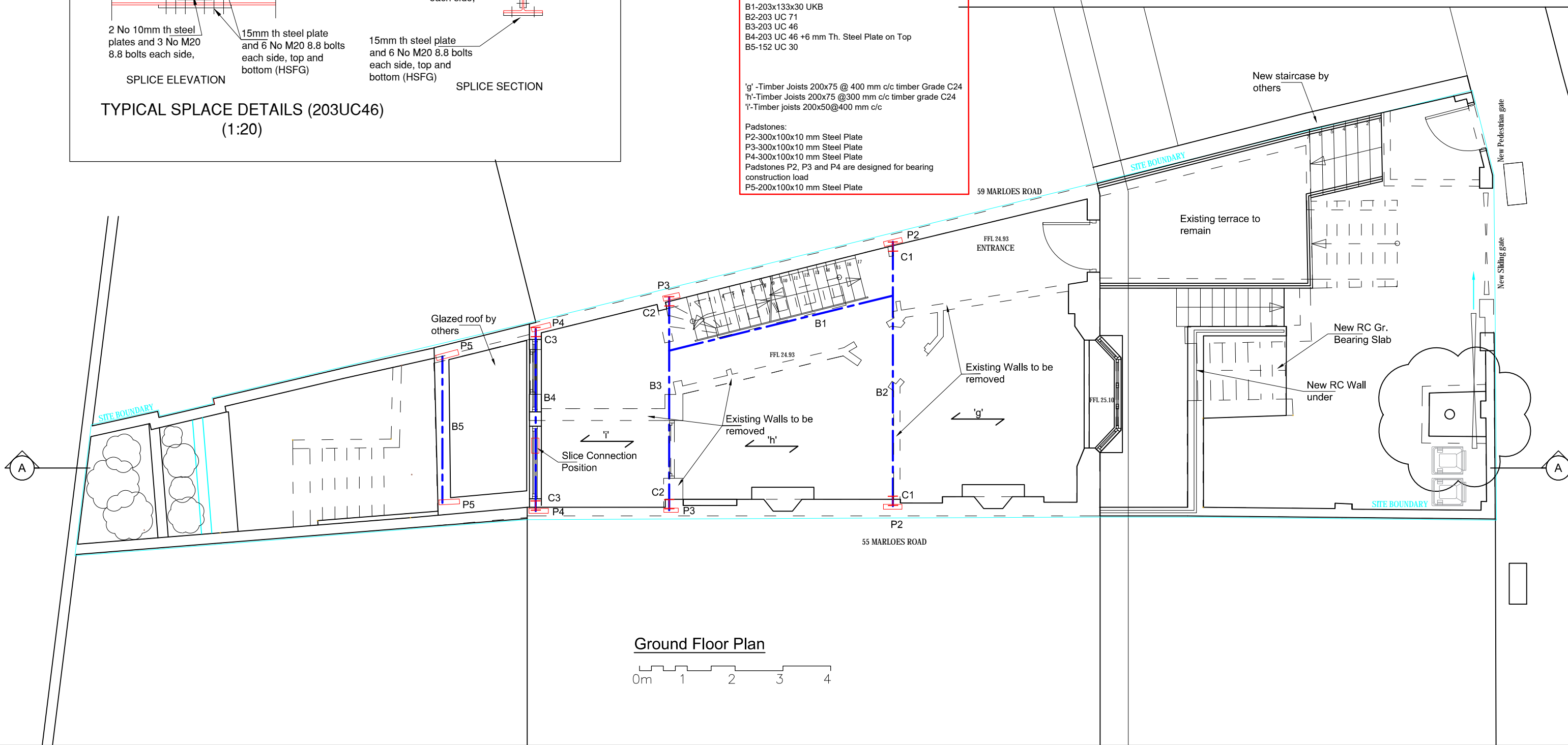


**BEAM SCHEDULE:**

B1-203x133x30 UKB  
B2-203 UC 71  
B3-203 UC 46  
B4-203 UC 46 +6 mm Th. Steel Plate on Top  
B5-152 UC 30

'g'-Timber Joists 200x75 @ 400 mm c/c timber Grade C24  
'h'-Timber Joists 200x75 @300 mm c/c timber grade C24  
'i'-Timber joists 200x50@400 mm c/c

Padstones:  
P2-300x100x10 mm Steel Plate  
P3-300x100x10 mm Steel Plate  
P4-300x100x10 mm Steel Plate  
Padstones P2, P3 and P4 are designed for bearing construction load  
P5-200x100x10 mm Steel Plate



Issued For  
**Construction**

General Notes  
DO NOT SCALE FROM THIS DRAWING.  
ALL DIMENSIONS TO BE VERIFIED ON SITE BY CONTRACTOR PRIOR TO COMMENCEMENT OF ANY SHOP DRAWINGS AND ANY WORK ON SITE. REPORT ALL DISCREPANCIES TO THE ARCHITECT/ENGINEER IMMEDIATELY. THIS DRAWING IS TO BE READ IN CONJUNCTION WITH ALL RELATED ARCHITECT/ ENGINEERS DRAWINGS / DETAILS AND ALL OTHER RELEVANT INFORMATION.

Notes

Client  
-

Project  
57 Marloes Rd.  
London, W8

Drawing Title  
**GROUND FLOOR PLAN**

Scale  
1:80@A3

Date  
Dec. 2016

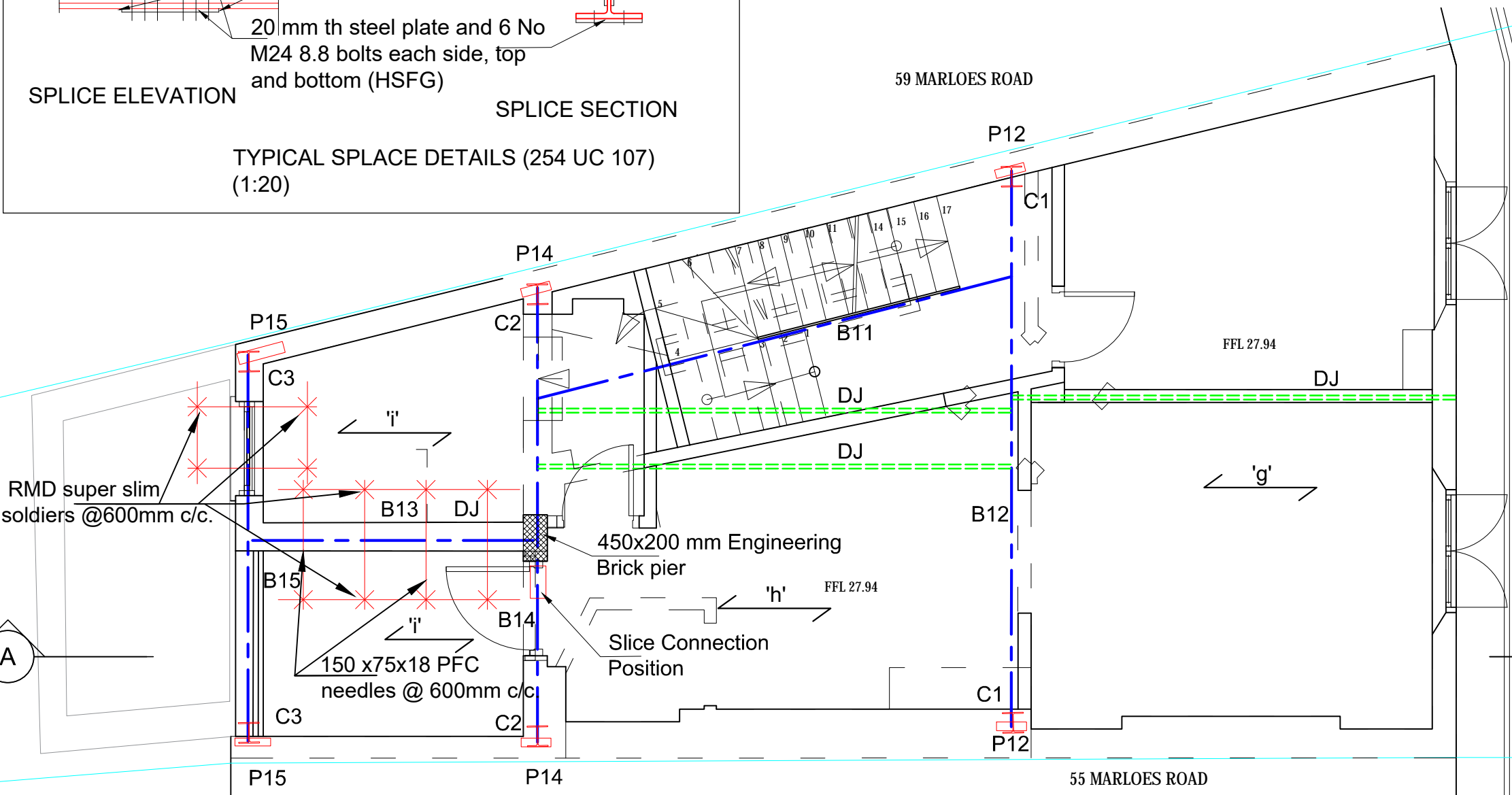
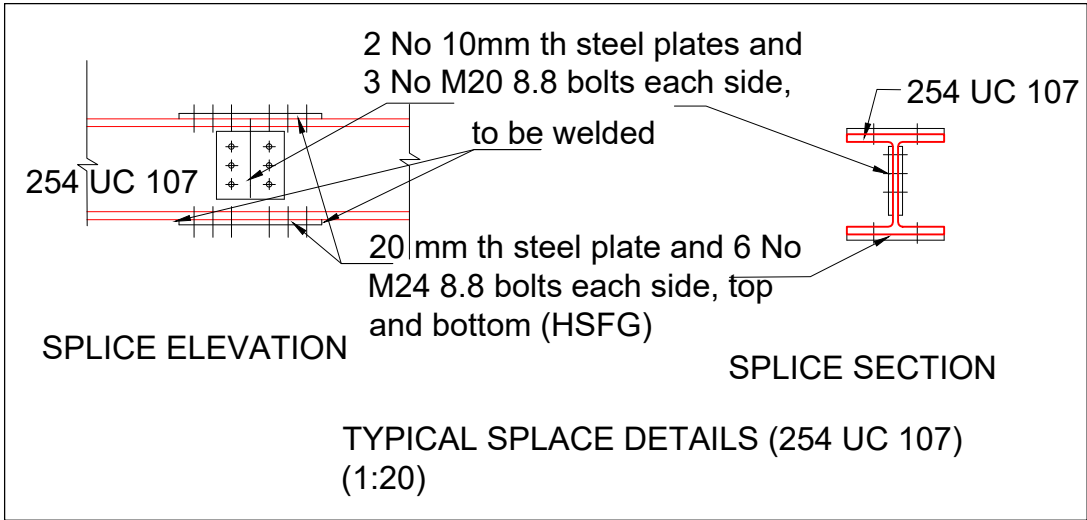
**LIM ENGINEERING LTD**  
consulting engineers

15 Kinloch Drive, London, Nw9 7LL - Tel: 020 8205 1427  
Fax: 020 8205 1427

Job No.  
Drawing No.  
02 - Rev D

Notes:

For General notes see GN1



**BEAM SCHEDULE:**

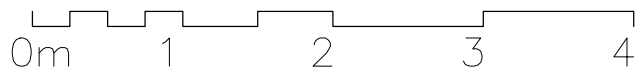
B11- 203x133x30 UKB  
 B12 - 203 UC 71  
 B13 - 203 x133x30 UKB + 6 mm Th. Steel Plate on Top  
 B14 - 254 UC 107+ 6 mm Th. Steel Plate on Top where required  
 B15 - 203 UC 46 + 6 mm Th. Steel Plate on Top where required

'g'-Timber Joists 200x75 @ 400 mm c/c timber Grade C24  
 'h'-Timber Joists 200x75 @300 mm c/c timber grade C24  
 'i'-Timber joists 200x50@400 mm c/c

**Padstones:**  
 P12 - 300x100x12 mm Steel Plate  
 P14 - 300x100x12 mm Steel Plate  
 P15 - 300x100x12 mm Steel Plate

Padstones P12, P14, and P15 are designed for bearing construction load.

**First Floor Plan**



Issued For: Construction

Notes:

**General Notes**

DO NOT SCALE FROM THIS DRAWING.  
 ALL DIMENSIONS TO BE VERIFIED ON SITE BY CONTRACTOR PRIOR TO COMMENCEMENT OF ANY SHOP DRAWINGS AND ANY WORK ON SITE. REPORT ALL DISCREPANCIES TO THE ARCHITECT/ENGINEER IMMEDIATELY. THIS DRAWING IS TO BE READ IN CONJUNCTION WITH ALL RELATED ARCHITECT/ ENGINEERS DRAWINGS / DETAILS AND ALL OTHER RELEVANT INFORMATION.

Client: -

Project: 57 Marloes Rd. London, W8

Drawing Title: FIRST FLOOR PLAN

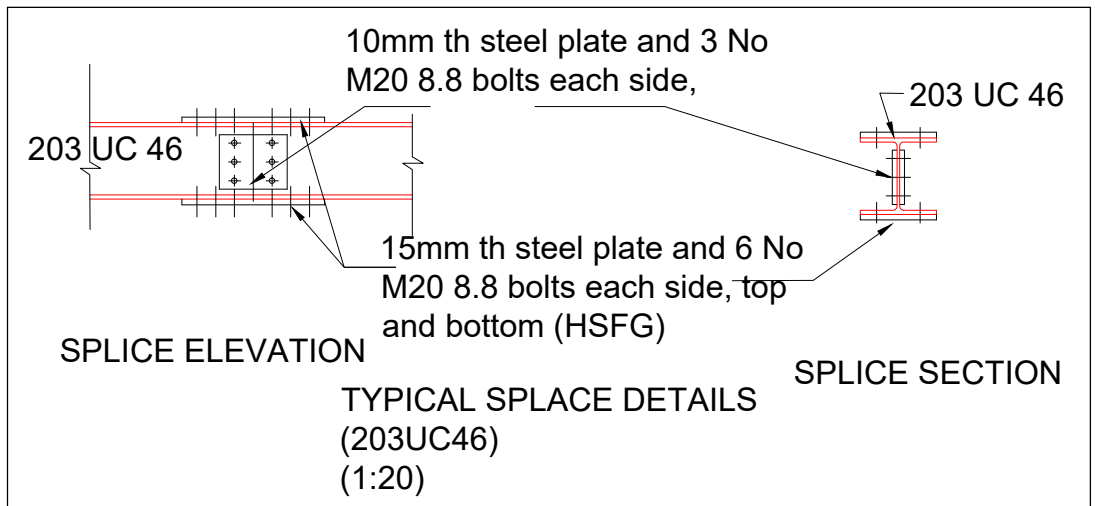
Scale: 1:50@A3 Date: Dec. 2016

**LIM ENGINEERING LTD**  
consulting engineers

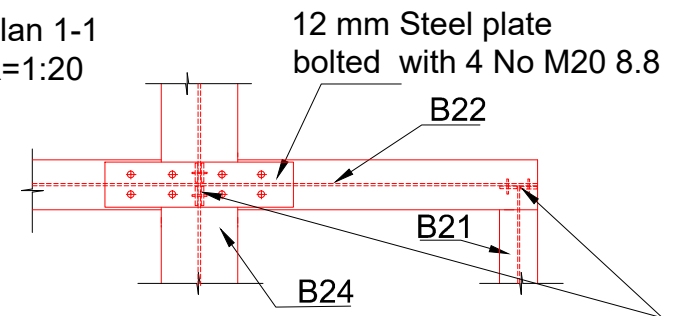
15 Kinloch Drive, London, Nw9 7LL - Tel: 020 8205 1427 Fax: 020 8205 1427

Job No. Drawing No. 03 - Rev D

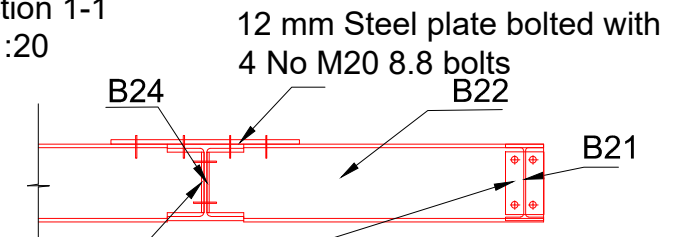
Notes:  
For General notes see GN1



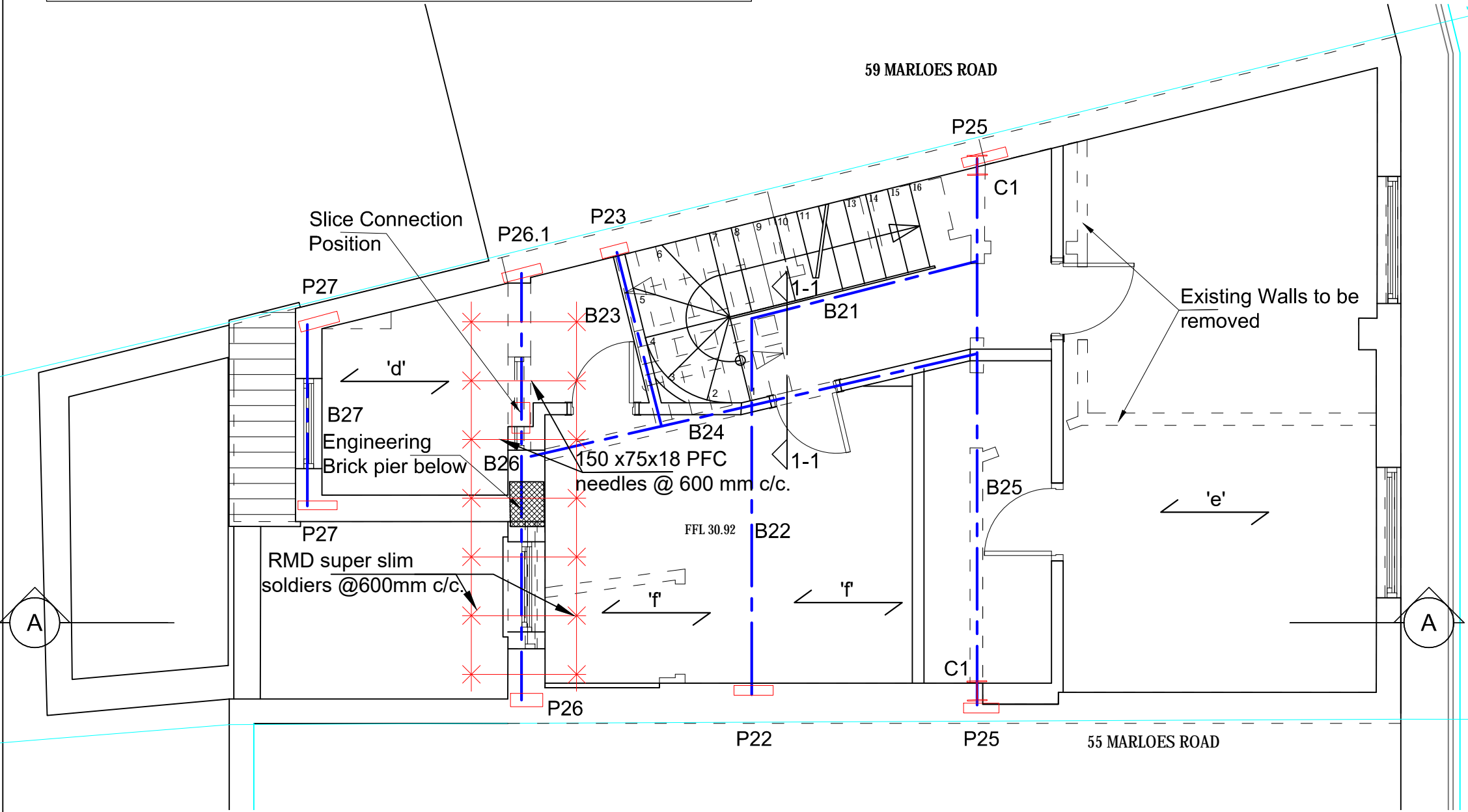
Plan 1-1  
R=1:20



Section 1-1  
R=1:20



12 mm Steel plate welded to beam and bolted to another beam with 4 No M20 8.8 bolts



**BEAM SCHEDULE:**

- B21-203x102x23 UKB
- B22-203 x133x30 UKB
- B23-203 x102x23 UKB
- B24-203 UC 46
- B25-203 UC 71
- B26-203 UC 46 + 6 mm Th. Steel Plate on Top
- B27-152 UC 30

'e' -Timber Joists 200x75 @ 400 mm c/c timber Grade C24  
'f'-Timber Joists 200x50 @400 mm c/c  
'd'-Timber joists 150x50@400 mm c/c

**Padstones:**

- P22-400x100x12 mm Steel Plate
- P23-200x100x10 mm Steel Plate
- P25-400x100x12 mm Steel Plate
- Padstone P25 is designed for bearing construction load.
- P26 - 400x100x15 mm Steel Plate
- P26.1-500x100x 20 mm Steel Plate
- P27-400x100x15 mm Steel Plate

Issued For  
**Construction**

General Notes

DO NOT SCALE FROM THIS DRAWING.  
ALL DIMENSIONS TO BE VERIFIED ON SITE BY CONTRACTOR PRIOR TO COMMENCEMENT OF ANY SHOP DRAWINGS AND ANY WORK ON SITE. REPORT ALL DISCREPANCIES TO THE ARCHITECT/ENGINEER IMMEDIATELY. THIS DRAWING IS TO BE READ IN CONJUNCTION WITH ALL RELATED ARCHITECT/ ENGINEERS DRAWINGS / DETAILS AND ALL OTHER RELEVANT INFORMATION.

Notes

Client  
-

Project  
57 Marloes Rd.  
London, W8

Drawing Title  
**SECOND FLOOR PLAN**

Scale  
1:50, 1:20 @A3

Date  
Dec. 2016

LIM ENGINEERING LTD  
consulting engineers

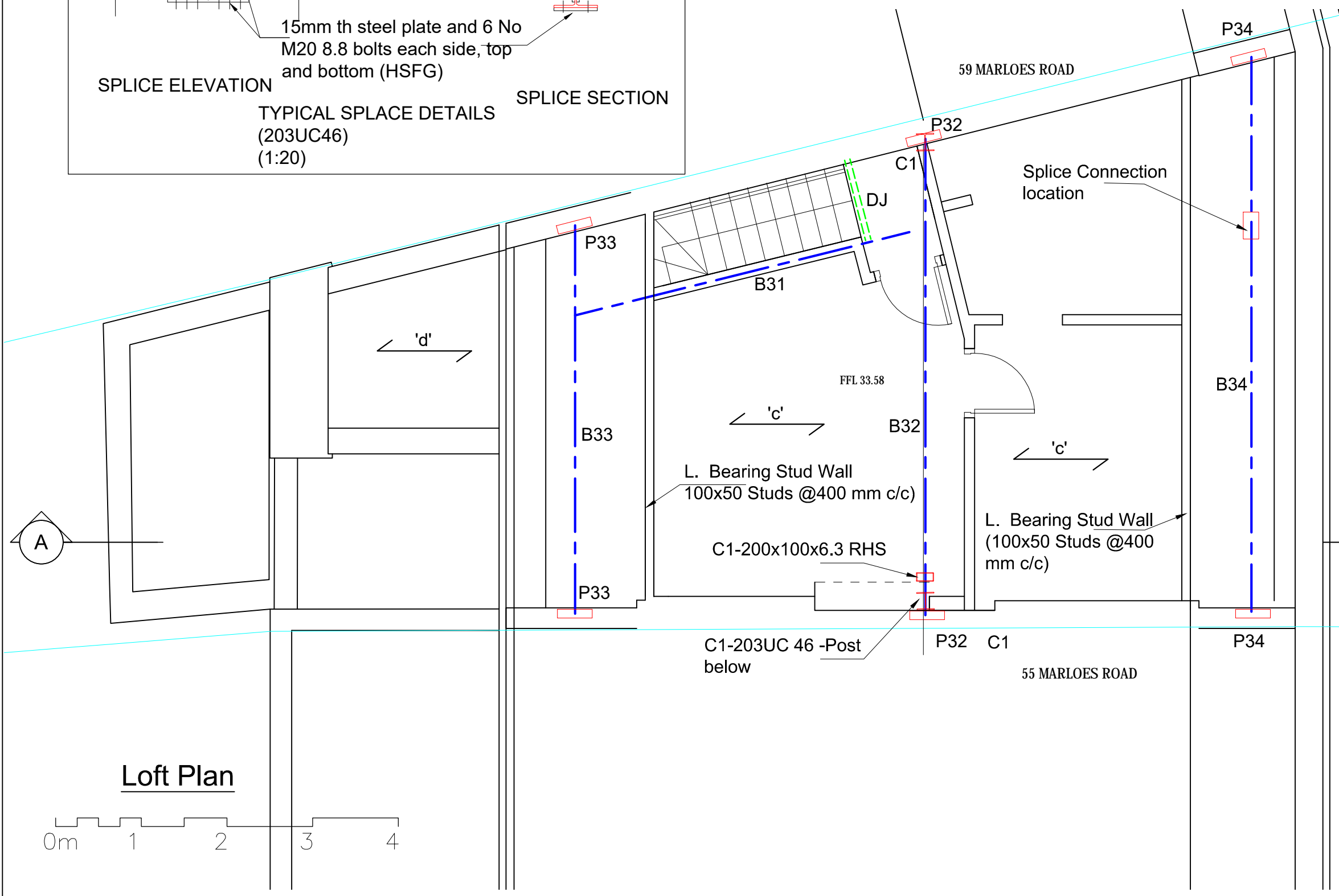
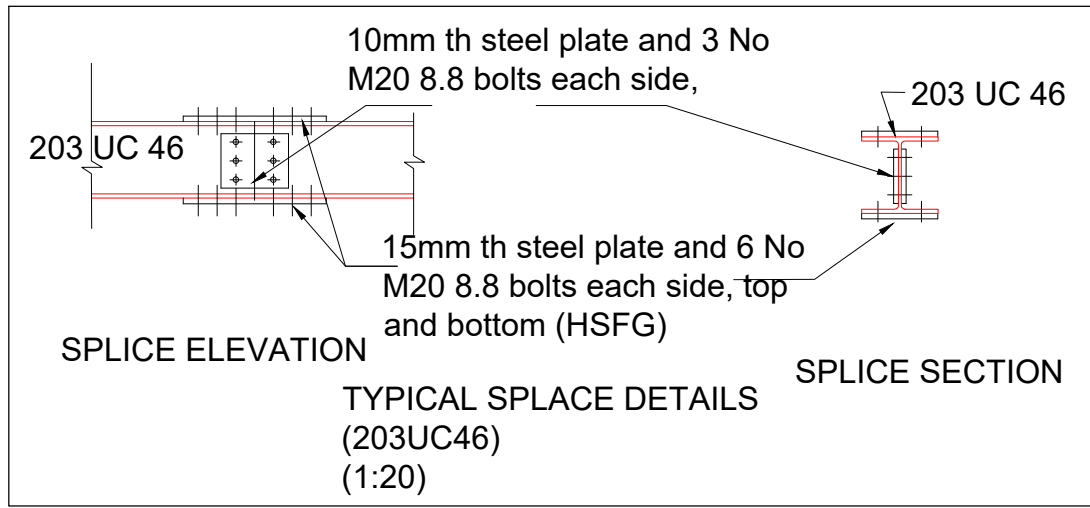
15 Kinloch Drive, London, Nw9 7LL - Tel: 020 8205 1427  
Fax: 020 8205 1427

Job No.  
-

Drawing No.  
04 - Rev D

Notes:

For General notes see GN1



**BEAM SCHEDULE:**

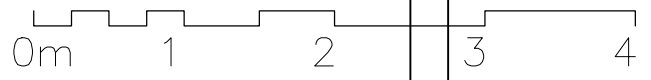
B31 - 203x133x25 UKB  
 B32 - 203 UC 46  
 B33 - 203 UC 46  
 B34 - 203 UC 46

'c' - Timber Joists 200x75 @ 300 mm c/c timber Grade C24  
 'd' - Timber Joists 150x50 @400 mm c/c  
 'DJ' - Double Joists

**Padstones:**  
 P32 - 350x100x12 mm Steel Plate  
 P33 - 450x100x15 mm Steel Plate  
 P34 - 500x100x 20 mm Steel Plate

Padstone P32 is designed for bearing construction load.

**Loft Plan**



SITE BOUNDARY

Issued For  
**Construction**

General Notes

DO NOT SCALE FROM THIS DRAWING.  
 ALL DIMENSIONS TO BE VERIFIED ON SITE BY CONTRACTOR PRIOR TO COMMENCEMENT OF ANY SHOP DRAWINGS AND ANY WORK ON SITE. REPORT ALL DISCREPANCIES TO THE ARCHITECT/ENGINEER IMMEDIATELY. THIS DRAWING IS TO BE READ IN CONJUNCTION WITH ALL RELATED ARCHITECT/ ENGINEERS DRAWINGS / DETAILS AND ALL OTHER RELEVANT INFORMATION.

Notes

Client  
 -

Project  
 57 Marloes Rd.  
 London, W8

Drawing Title  
**LOFT FLOOR PLAN**

Scale  
 1:50@A3

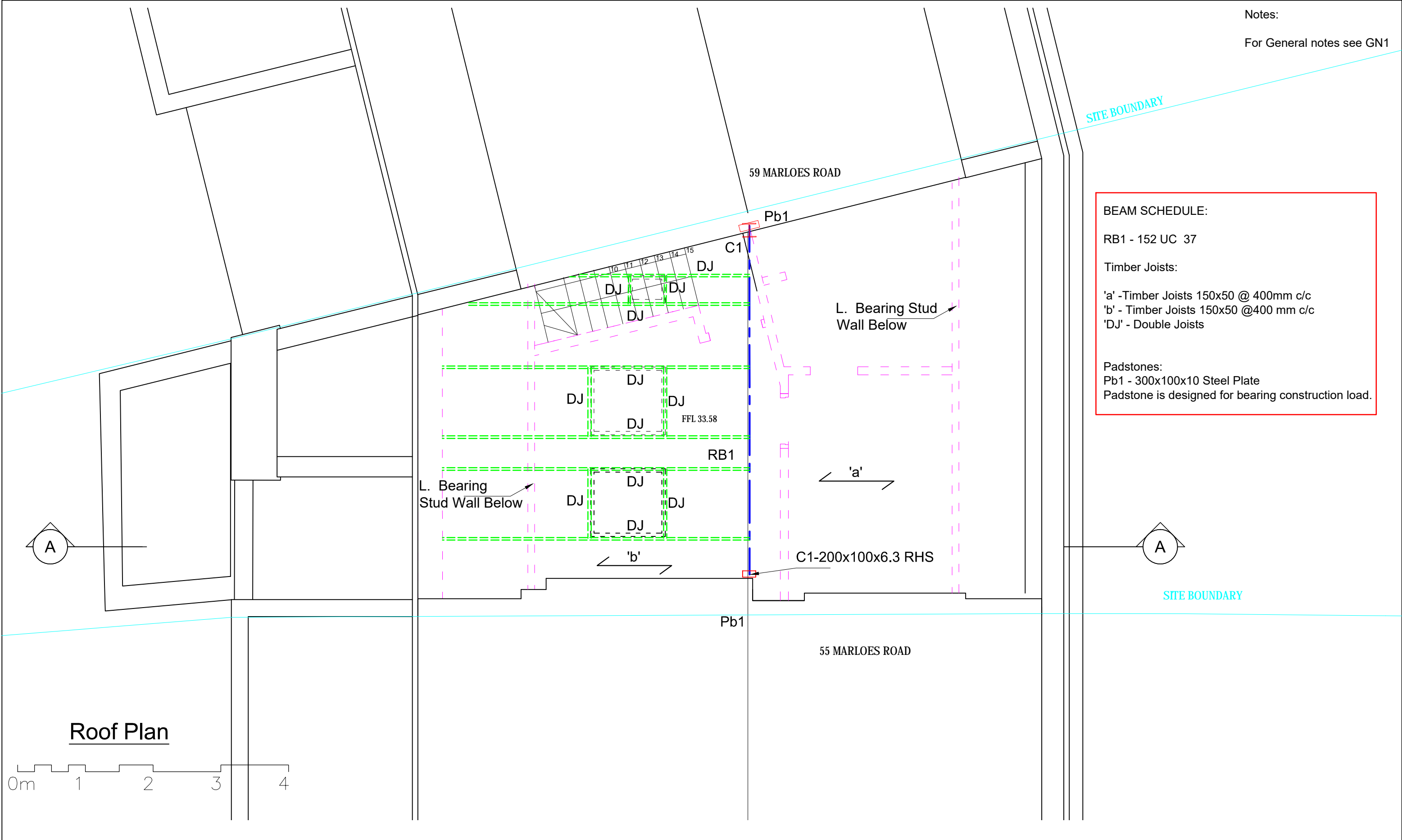
Date  
 Dec. 2016

**LIM ENGINEERING LTD**  
 consulting engineers

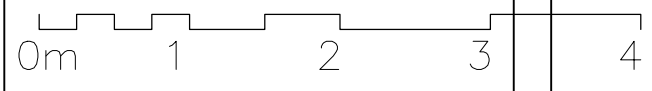
15 Kinloch Drive, London, Nw9 7LL - Tel: 020 8205 1427  
 Fax: 020 8205 1427

Job No.  
 Drawing No.  
 05 - Rev C

Notes:  
For General notes see GN1



**Roof Plan**



Issued For  
**Construction**

General Notes  
DO NOT SCALE FROM THIS DRAWING.  
ALL DIMENSIONS TO BE VERIFIED ON SITE BY CONTRACTOR PRIOR TO COMMENCEMENT OF ANY SHOP DRAWINGS AND ANY WORK ON SITE. REPORT ALL DISCREPANCIES TO THE ARCHITECT/ENGINEER IMMEDIATELY. THIS DRAWING IS TO BE READ IN CONJUNCTION WITH ALL RELATED ARCHITECT/ ENGINEERS DRAWINGS / DETAILS AND ALL OTHER RELEVANT INFORMATION.

Notes

Client  
-

Project  
57 Marloes Rd.  
London, W8

Drawing Title  
**ROOF PLAN**

Scale  
1:50@A3

Date  
Dec. 2016

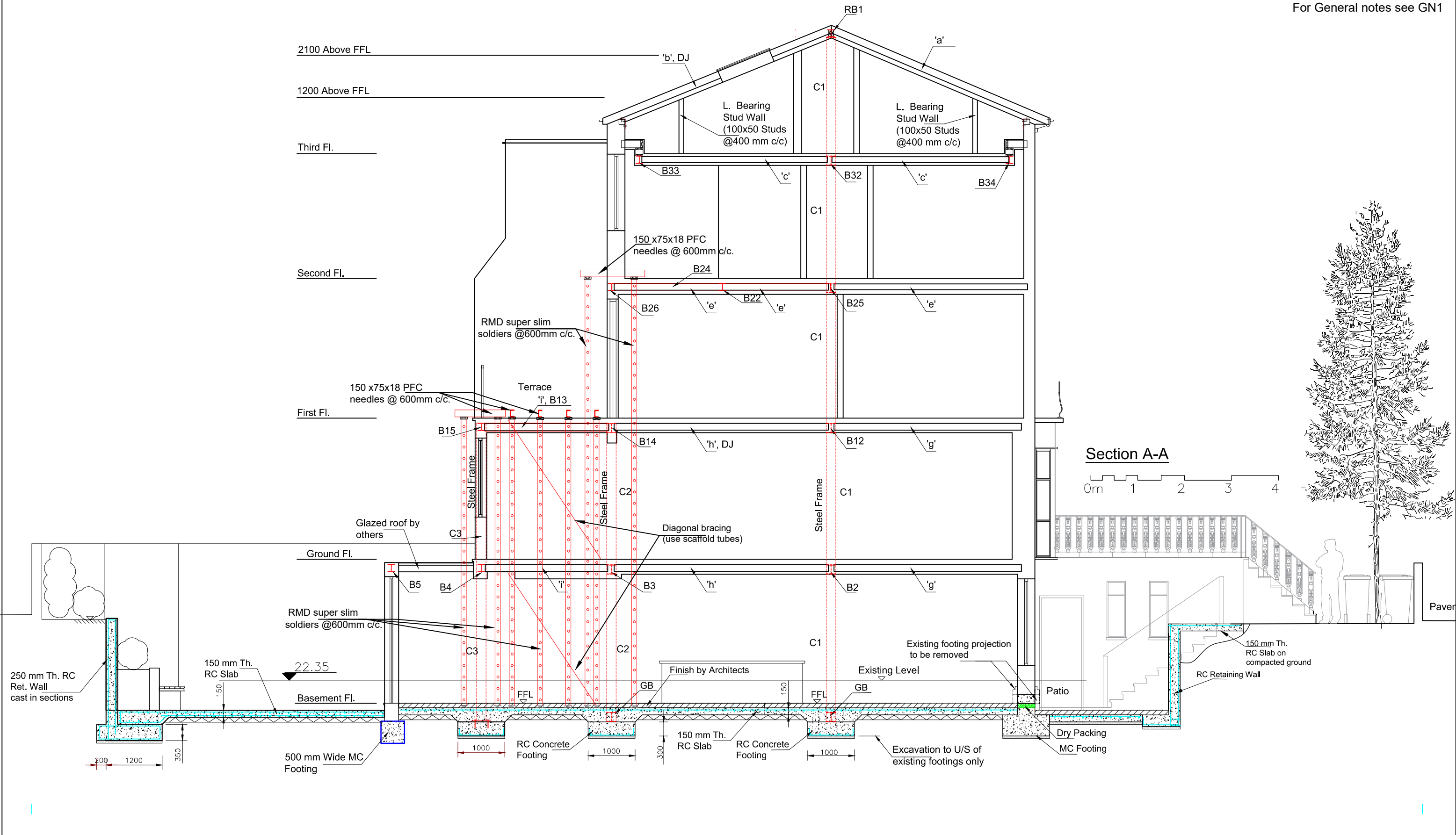
**LIM ENGINEERING LTD**  
consulting engineers

15 Kinloch Drive, London, Nw9 7LL - Tel: 020 8205 1427  
Fax: 020 8205 1427

Job No. \_\_\_\_\_ Drawing No. \_\_\_\_\_

06 - Rev D

Notes:  
For General notes see GN1



Section A-A

0m 1 2 3 4

Issued For  
**Construction**

General Notes  
DO NOT SCALE FROM THIS DRAWING.  
ALL DIMENSIONS TO BE VERIFIED ON SITE BY CONTRACTOR PRIOR TO COMMENCEMENT OF ANY SHOP DRAWINGS AND ANY WORK ON SITE. REPORT ALL DISCREPANCIES TO THE ARCHITECT/ENGINEER IMMEDIATELY. THIS DRAWING IS TO BE READ IN CONJUNCTION WITH ALL RELATED ARCHITECT/ ENGINEERS DRAWINGS / DETAILS AND ALL OTHER RELEVANT INFORMATION.

Notes


Client  
-

Project  
57 Marloes Rd.  
London, W8

Drawing Title  
Section A-A

Scale  
1:75@A3

Date  
Dec. 2016

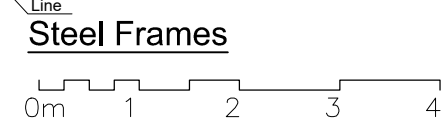
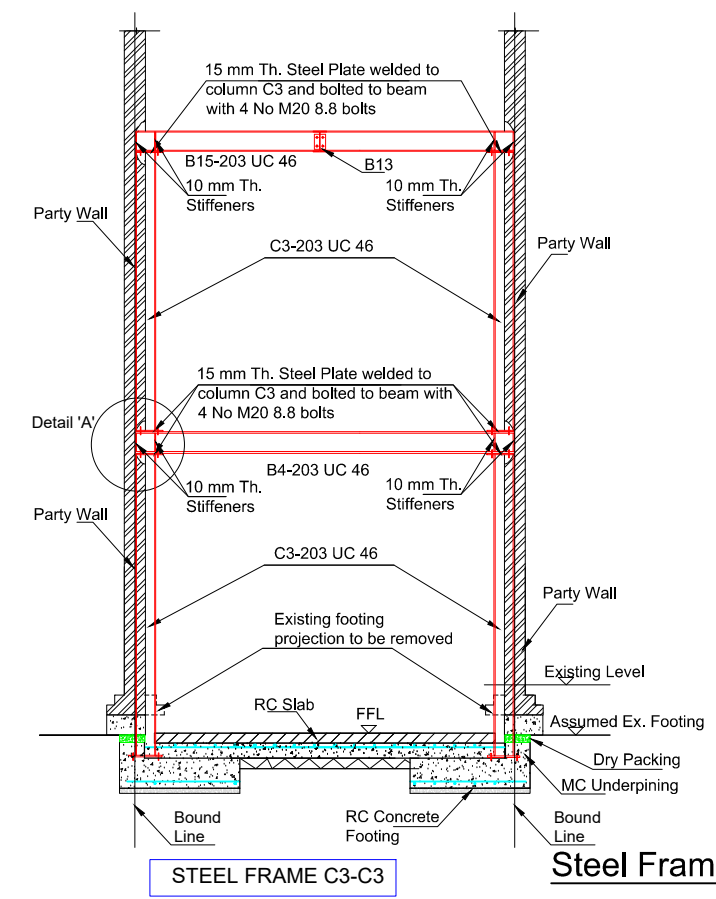
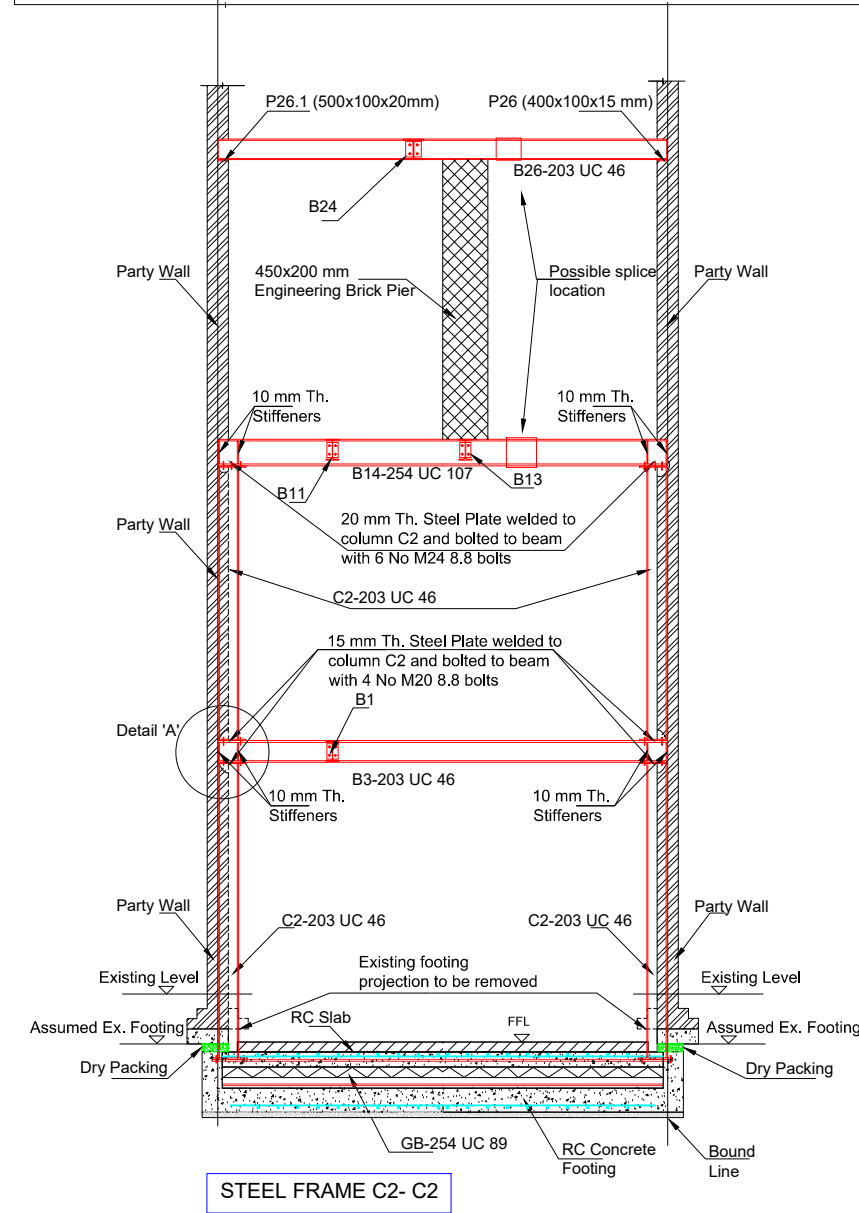
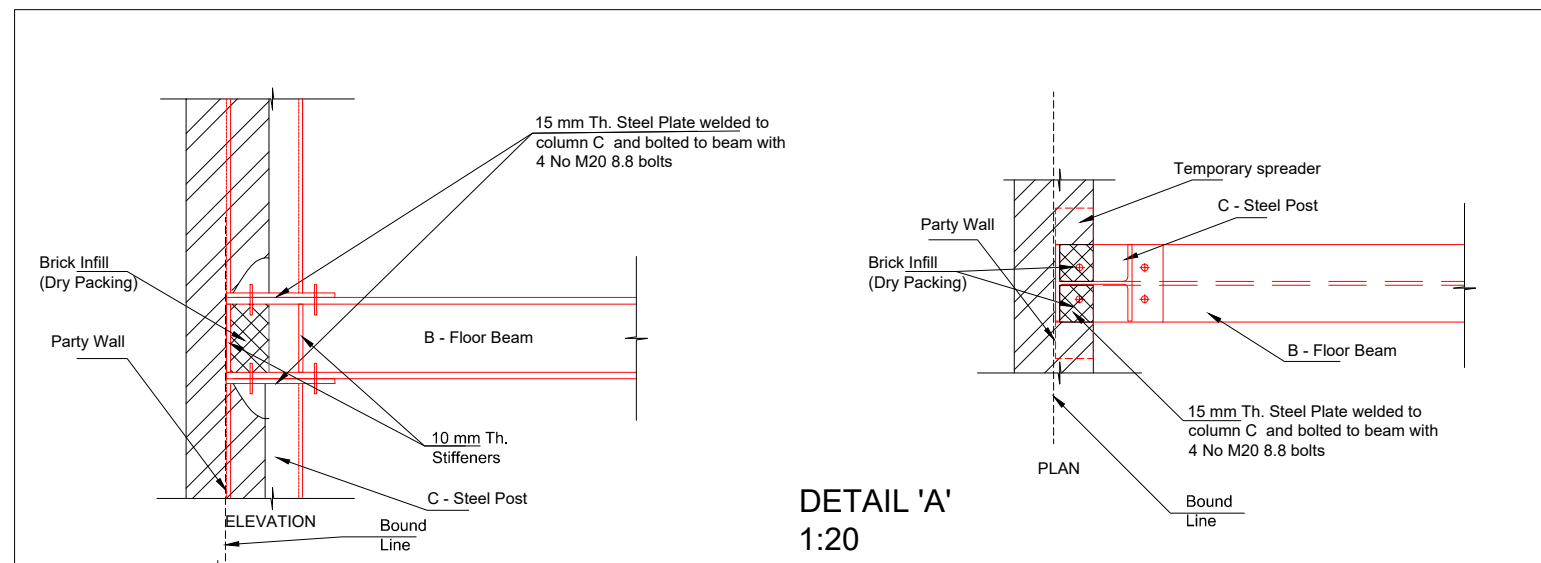
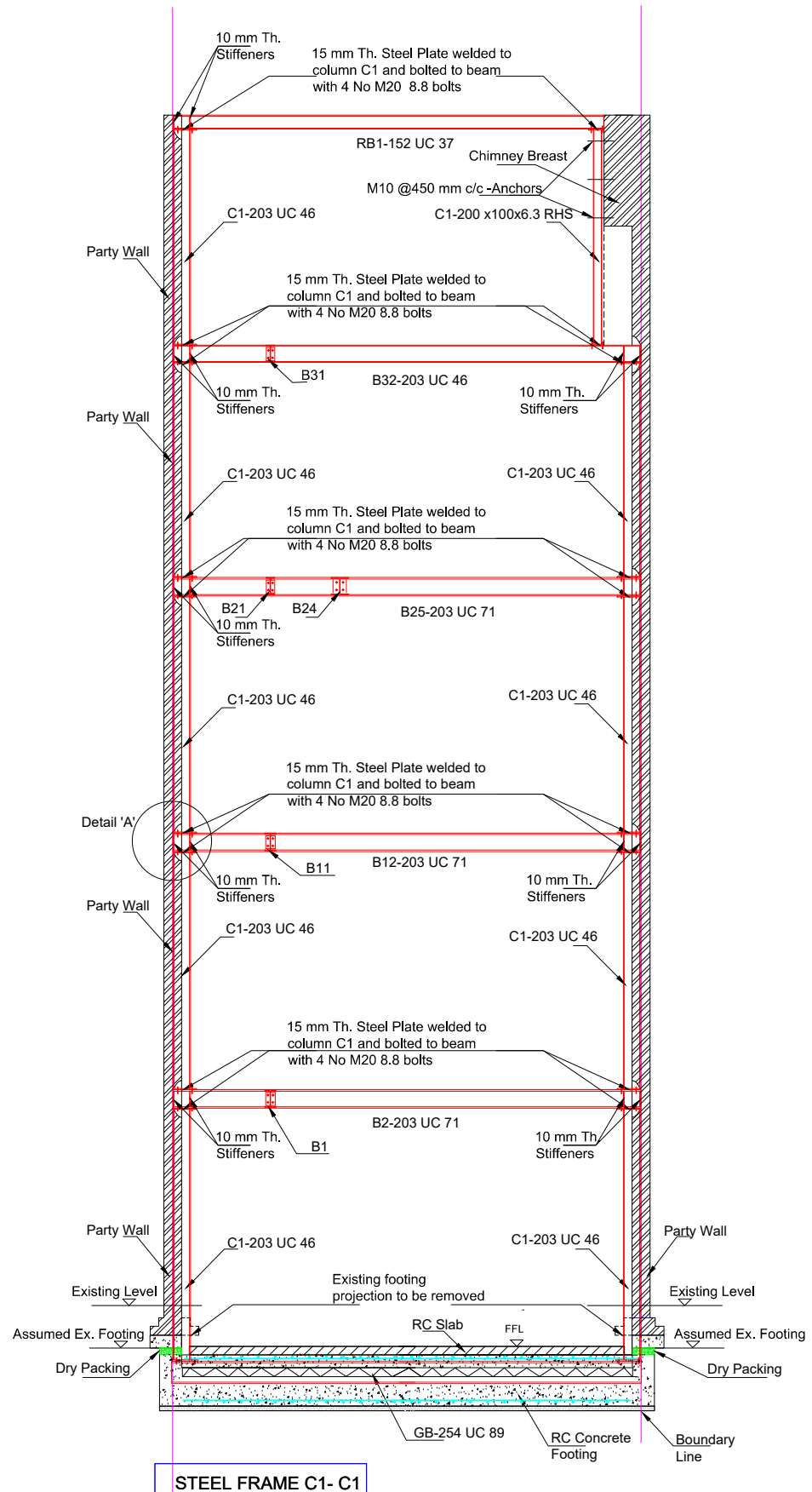


**LIM ENGINEERING LTD**  
consulting engineers

15 Kinloch Drive, London, Nw9 7LL - Tel: 020 8205 1427  
Fax: 020 8205 1427

Job No.  
Drawing No.  
07- Rev C

Notes:  
For General notes see GN1



Issued For  
**Construction**

General Notes  
DO NOT SCALE FROM THIS DRAWING. ALL DIMENSIONS TO BE VERIFIED ON SITE BY CONTRACTOR PRIOR TO COMMENCEMENT OF ANY SHOP DRAWINGS AND ANY WORK ON SITE. REPORT ALL DISCREPANCIES TO THE ARCHITECT/ENGINEER IMMEDIATELY. THIS DRAWING IS TO BE READ IN CONJUNCTION WITH ALL RELATED ARCHITECT/ ENGINEERS DRAWINGS / DETAILS AND ALL OTHER RELEVANT INFORMATION.

Notes

Client  
-

Project  
57 Marloes Rd.  
London, W8

Drawing Title  
**Steel Frames**

Scale  
1:75, 1:20 @A3

Date  
Dec. 2016

**LIM ENGINEERING LTD**  
consulting engineers

15 Kinloch Drive, London, Nw9 7LL - Tel: 020 8205 1427  
Fax: 020 8205 1427

Job No.  
Drawing No.  
08-Rev B