

SEQUENCE OF WORK : PHASE 1

- Underpin Gardena and Party Wall along GL1
- Install all piles
- Construct Steel tower to support front facade.
- Demolish existing structure except front facade

Continued

Note : Front sacrificial piles P17, P18, P19, P20, P24, P30, P31 and P32 to be designed for 200 kN tension and 200 kN compression.

PILE LOADS:
(Service loads)
P01 to P32 = +200 kN

P17, P18, P19, P20, P24, P30, P31, P32 = -200 kN- tension

Horizontal Loads:
P01to P032 =25 kN

Information

General Notes

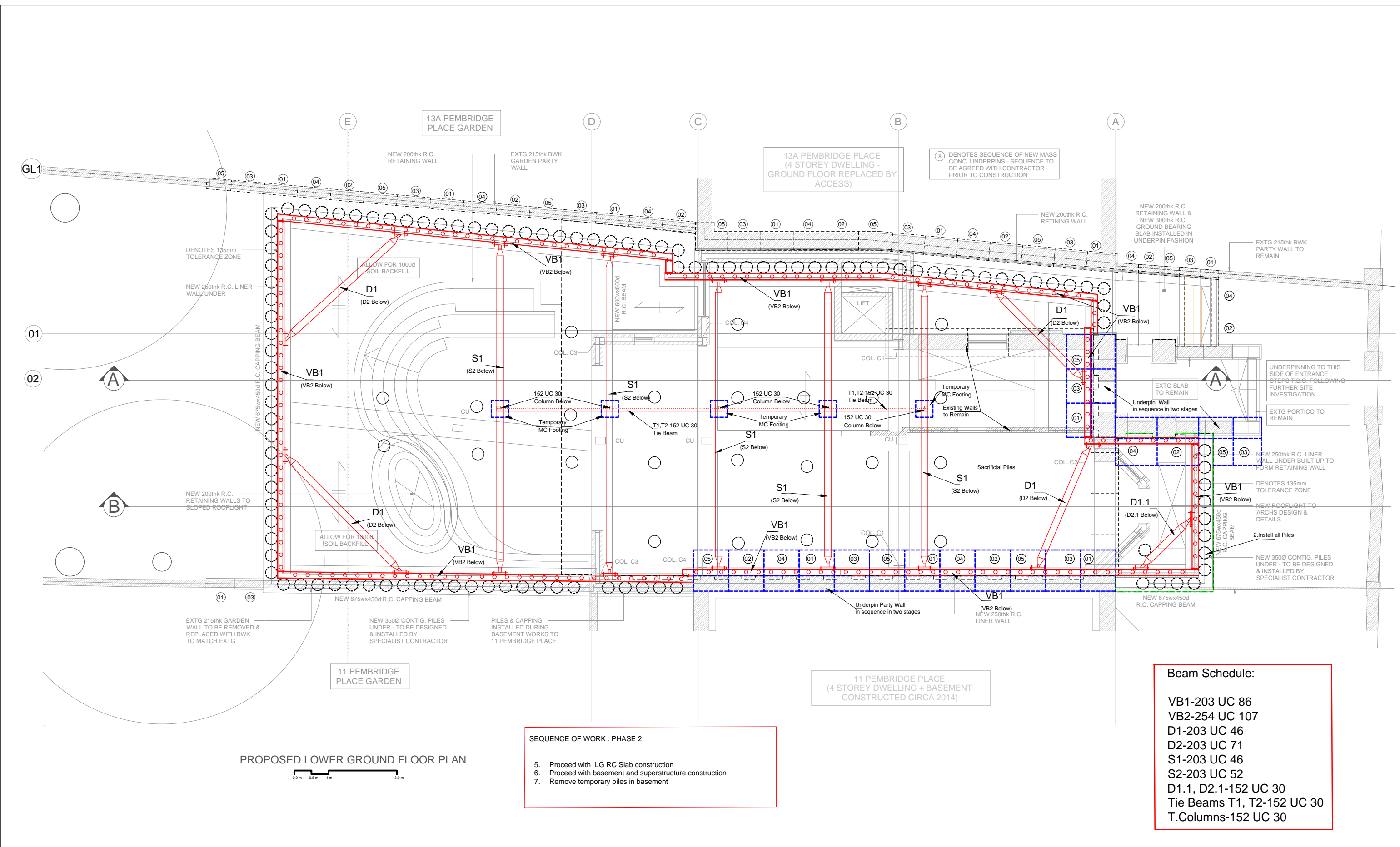
DO NOT SCALE FROM THIS DRAWING.
ALL DIMENSIONS TO BE VERIFIED ON SITE BY CONTRACTOR PRIOR TO COMMENCEMENT OF ANY SHOP DRAWINGS AND ANY WORK ON SITE. REPORT ALL DISCREPANCIES TO THE ARCHITECT/ENGINEER IMMEDIATELY.
THIS DRAWING IS TO BE READ IN CONJUNCTION WITH ALL RELATED ARCHITECT/ ENGINEERS DRAWINGS / DETAILS AND ALL OTHER RELEVANT INFORMATION.

Issued For	Notes	Client
		Project
		12 Pembridge Place London W2
		Drawing Title
		Lower Ground Plan-Phase 1
		Scale
		1: 100@A3
		Date
		Nov. 2017
		Job No.
		1125
		Drawing No.
		TW01-Rev C



LIM ENGINEERING LTD
consulting engineers

15 Kinloch Drive, London, Nw9 7LL - Tel: 020 8205 1427
Fax: 020 8205 1427



PROPOSED LOWER GROUND FLOOR PLAN

- SEQUENCE OF WORK : PHASE 2
5. Proceed with LG RC Slab construction
 6. Proceed with basement and superstructure construction
 7. Remove temporary piles in basement

- Beam Schedule:
- VB1-203 UC 86
 - VB2-254 UC 107
 - D1-203 UC 46
 - D2-203 UC 71
 - S1-203 UC 46
 - S2-203 UC 52
 - D1.1, D2.1-152 UC 30
 - Tie Beams T1, T2-152 UC 30
 - T.Columns-152 UC 30

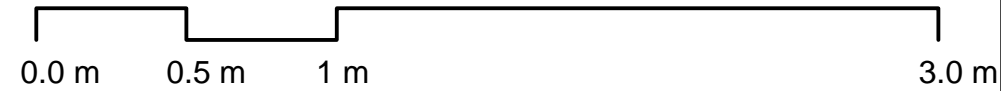
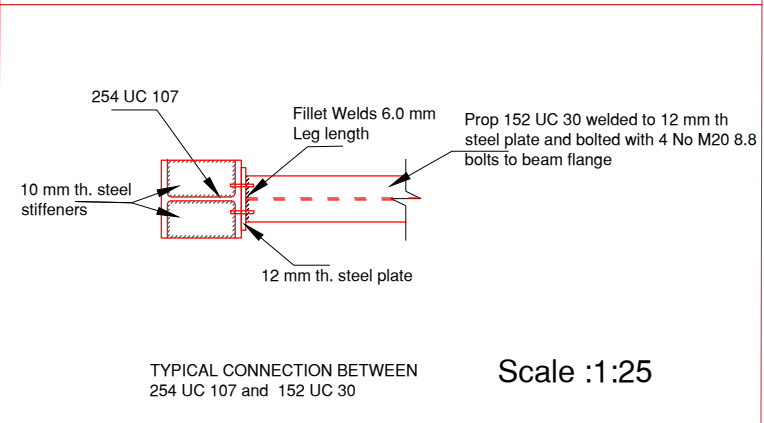
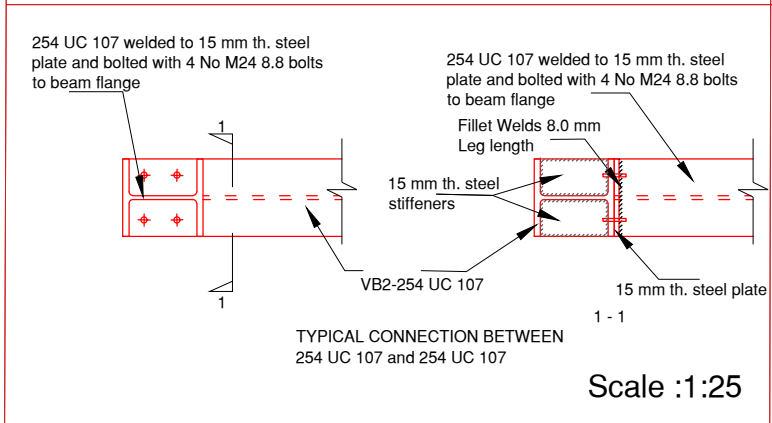
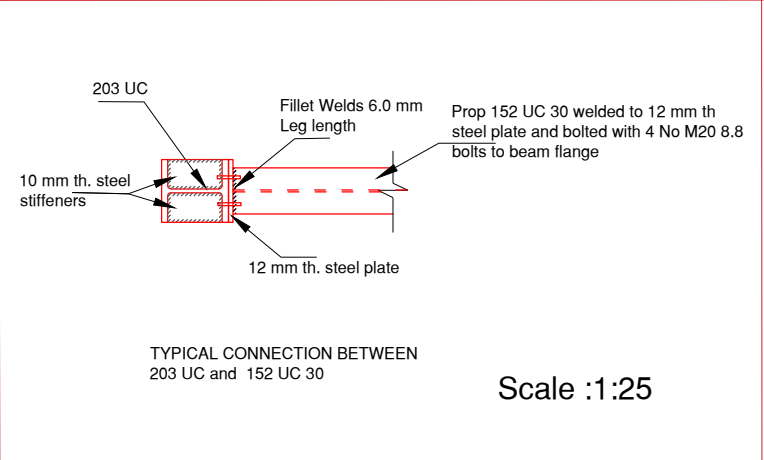
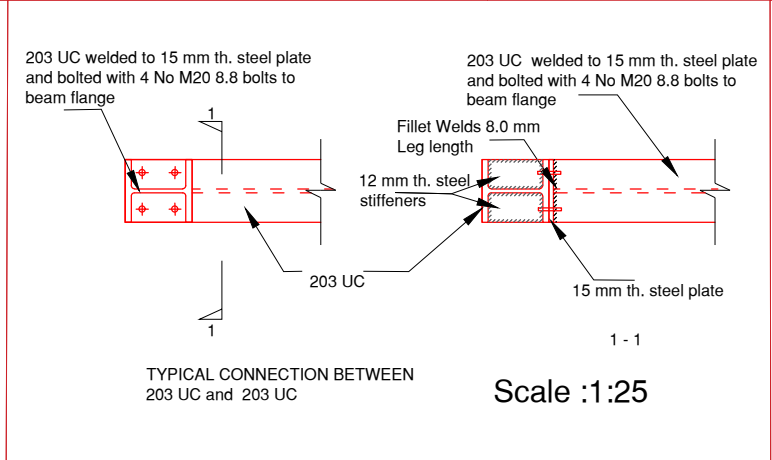
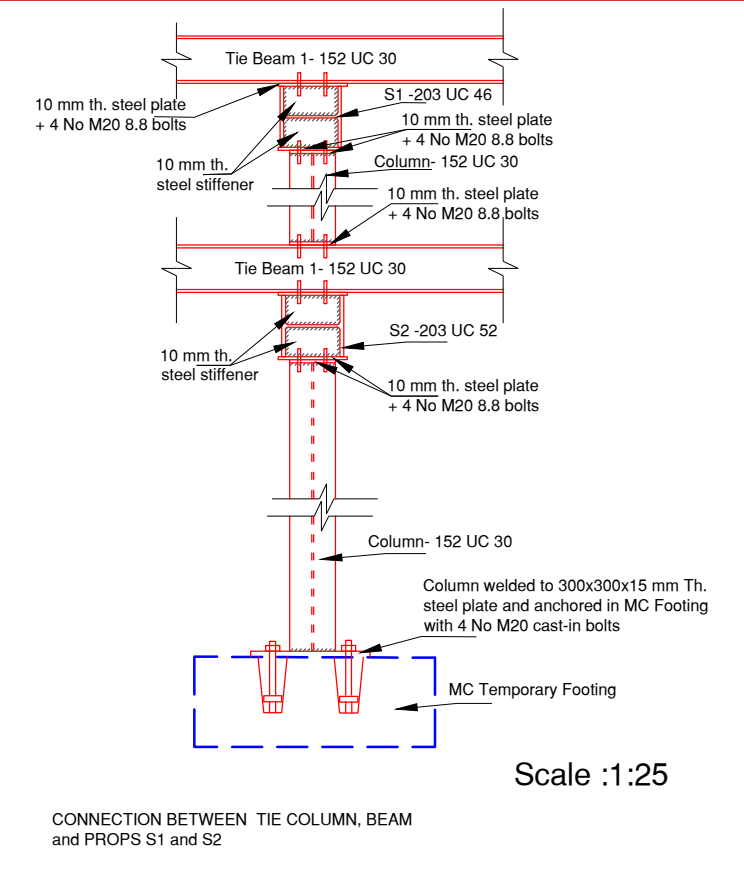
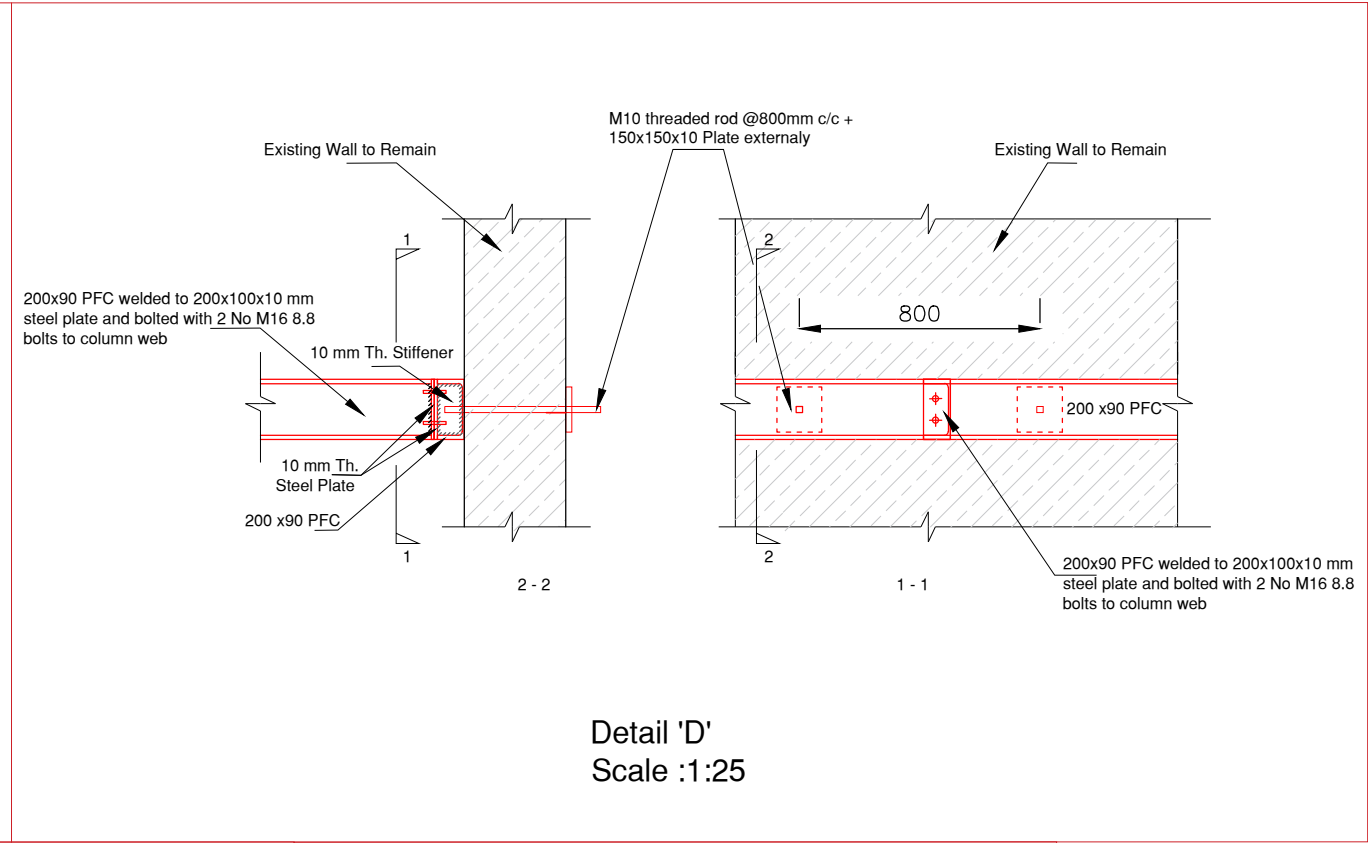
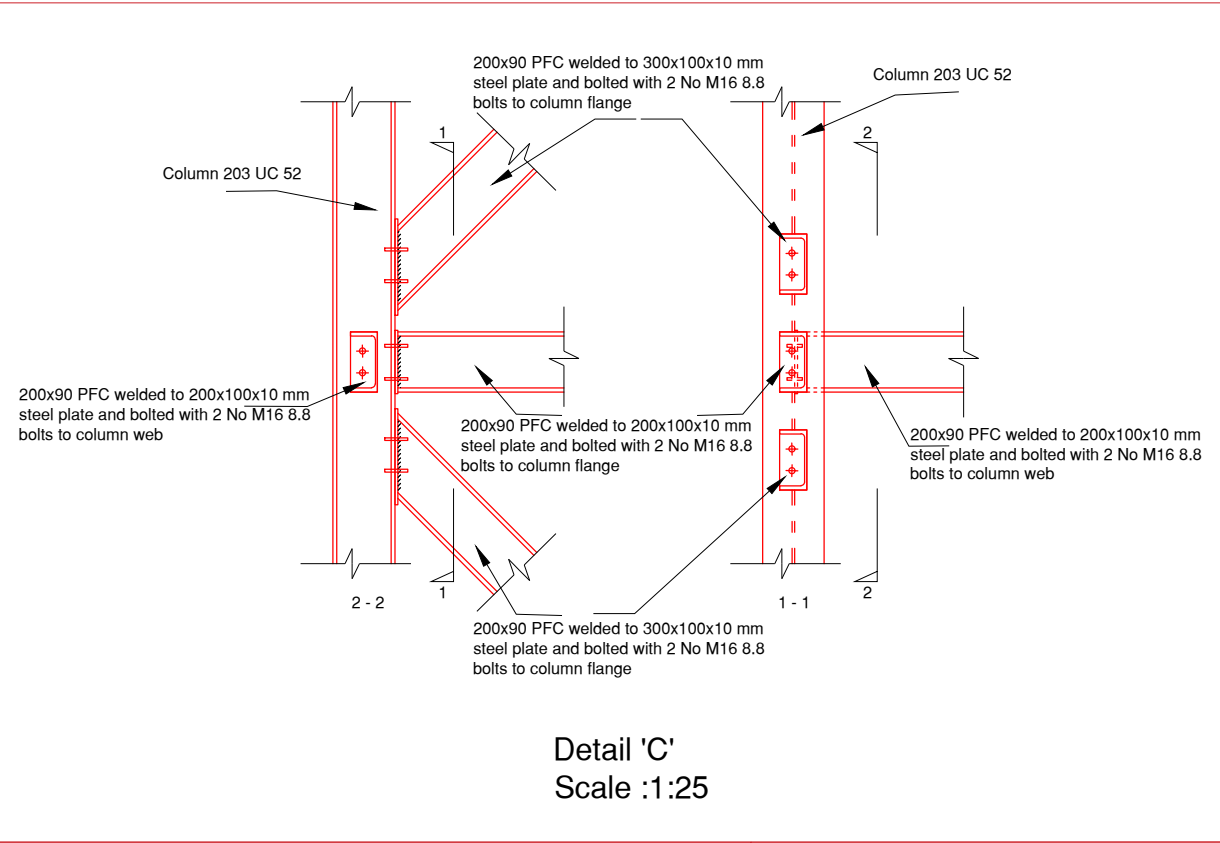
Information
 General Notes
 DO NOT SCALE FROM THIS DRAWING.
 ALL DIMENSIONS TO BE VERIFIED ON SITE BY CONTRACTOR PRIOR TO COMMENCEMENT OF ANY SHOP DRAWINGS AND ANY WORK ON SITE. REPORT ALL DISCREPANCIES TO THE ARCHITECT/ENGINEER IMMEDIATELY. THIS DRAWING IS TO BE READ IN CONJUNCTION WITH ALL RELATED ARCHITECT/ ENGINEERS DRAWINGS / DETAILS AND ALL OTHER RELEVANT INFORMATION.

Notes

Client
 -
 Project
 12 Pembridge Place
 London W2
 Drawing Title
 LG-Proposed Plan -Phase 2
 Scale
 1: 100@A3
 Date
 Nov. 2017

Client
 -
 Project
 12 Pembridge Place
 London W2
 Drawing Title
 LG-Proposed Plan -Phase 2
 Scale
 1: 100@A3
 Date
 Nov. 2017

LIM ENGINEERING LTD
 consulting engineers
 15 Kinloch Drive, London, Nw9 7LL - Tel: 020 8205 1427
 Fax: 020 8205 1427
 Job No. 1125
 Drawing No. TW02-Rev C



Information
General Notes
DO NOT SCALE FROM THIS DRAWING.
ALL DIMENSIONS TO BE VERIFIED ON SITE BY CONTRACTOR PRIOR TO COMMENCEMENT OF ANY SHOP DRAWINGS AND ANY WORK ON SITE. REPORT ALL DISCREPANCIES TO THE ARCHITECT/ENGINEER IMMEDIATELY. THIS DRAWING IS TO BE READ IN CONJUNCTION WITH ALL RELATED ARCHITECT/ENGINEERS DRAWINGS / DETAILS AND ALL OTHER RELEVANT INFORMATION.

Notes	

Client	
-	
Project	
12 Pembridge Place London W2	
Drawing Title	
Steel Connection Details	
Scale	Date
1: 25@A3	Nov. 2017

LIM ENGINEERING LTD
consulting engineers

15 Kinloch Drive, London, Nw9 7LL - Tel: 020 8205 1427
Fax: 020 8205 1427

Job No.	Drawing No.
1125	TW04