

Beam Schedule:

T1-203 UC 46	B1-305 UC 118	B6-762x267x134 UB
T2-203 UC 71	B2-305 UC 118	B7-762x267x134 UB
T3-203 UC 60	B3-305 UC 198	B8-305 UC 118
T4-203 UC 86	B4-762x267x134 UB	B9-203 UC 46
T5-152 UC 30	B5-762x267x134 UB	Bridge beam: 254 UC 107

Note: All RC Structure to be completed and cured before temporary work is removed.

825mm wide x 450mm dp RC capping beam. TOC = -0.350

Note: Beams to be installed in sequence 1 to 9

Temporary Piles:
P1 to P10 - 400mm Dia. piles + Plunged Columns (203 UC 86)
D1 - 152 UC 30
Needles - 152 UC 23 @ 600mm c/c
Props - Use Acrow props

Key Plan
Lower Ground Floor Level

SECTION A - A
(1:25)

- Sequence of work:**
- Site preparation and strip out work
 - Reduce ground through out to u/s of existing footings.
 - Install the piles and plunged columns
 - Install temporary bases at each side of the wall and install temporary needles and props.
 - Install the beams in sequence 1 to 9 and dry pack above
 - Install the bracing's and temporary beams D1.
 - Remove temporary propping and temporary bases.
 - Proceed with middle excavation leaving ream of earth around.
 - Construct temporary basing at the basement level.
 - Install waling beams and props of these bases.
 - Carry out underpinning along GL5/A-C
 - Proceed with the excavation to the founding base level.
 - Construct the basement slab and RC walls to u/s of waling beam.
 - Reposition waling beam and props to the RC wall.
 - Construct rest of the RC wall and Lower Ground Floor slab and beams.
 - Proceed with the rest of work to upper floors.

825 wide x 450mm dp RC capping beam. TOC = -0.770

Construction

General Notes

DO NOT SCALE FROM THIS DRAWING. ALL DIMENSIONS TO BE VERIFIED ON SITE BY CONTRACTOR PRIOR TO COMMENCEMENT OF ANY SHOP DRAWINGS AND ANY WORK ON SITE. REPORT ALL DISCREPANCIES TO THE ARCHITECT/ENGINEER IMMEDIATELY. THIS DRAWING IS TO BE READ IN CONJUNCTION WITH ALL RELATED ARCHITECT/ ENGINEERS DRAWINGS / DETAILS AND ALL OTHER RELEVANT INFORMATION.

Note: Steel Grade S355
Plates Grade S275

Client

-

Project

9 Hill Road
London, NW9

Drawing Title

KEY PLAN-LOWER GR.FLOOR

Scale

Date

Dec. 2017

LIM ENGINEERING LTD
consulting engineers

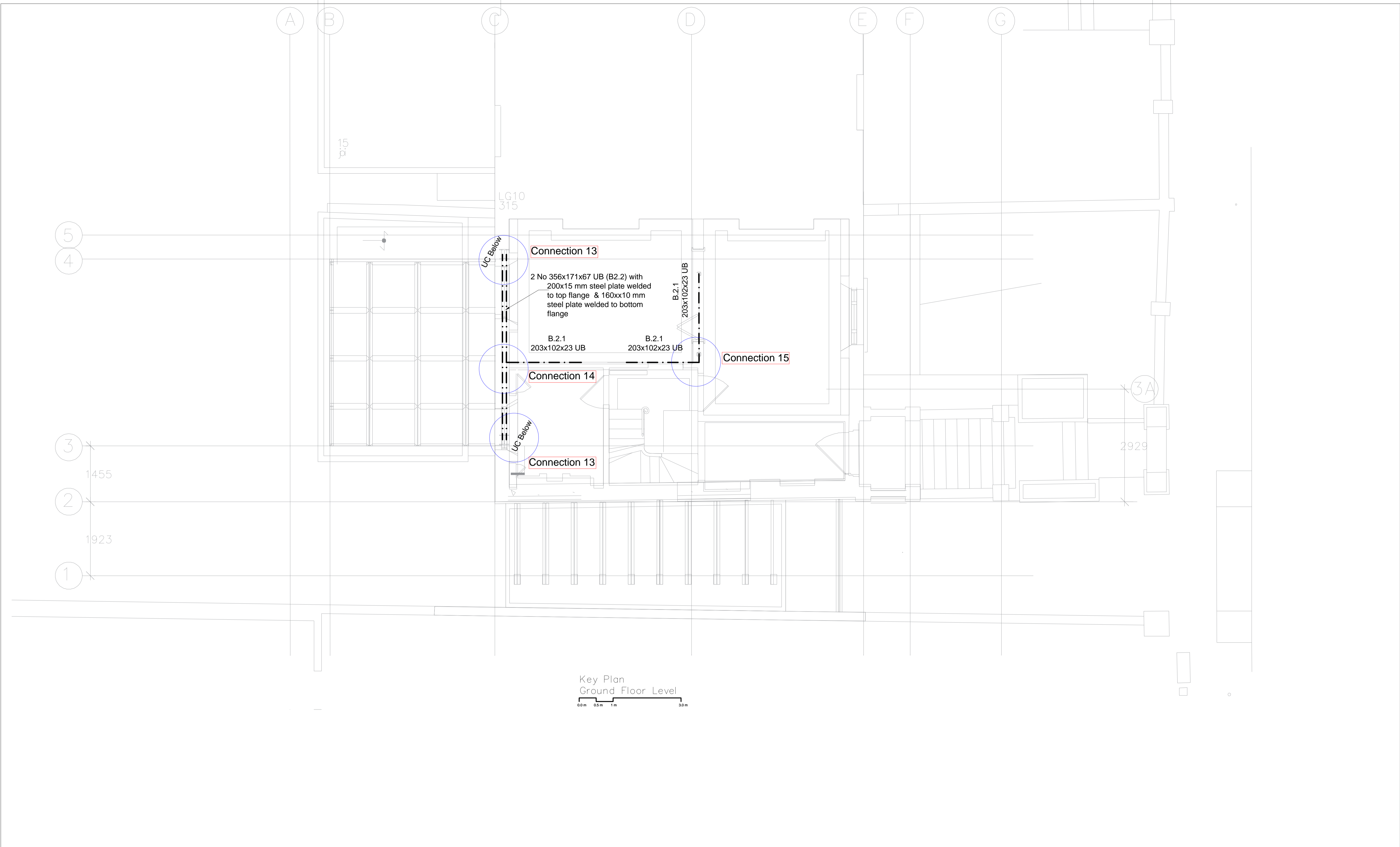
15 Kinloch Drive, London, Nw9 7LL - Tel: 020 8205 1427
Fax: 020 8205 1427

Job No.

1078

Drawing No.

01



**Note: Steel Grade S355
Plates Grade S275**

Issued For
Construction

General Notes
DO NOT SCALE FROM THIS DRAWING.
ALL DIMENSIONS TO BE VERIFIED ON SITE BY CONTRACTOR PRIOR TO COMMENCEMENT OF ANY SHOP DRAWINGS AND ANY WORK ON SITE. REPORT ALL DISCREPANCIES TO THE ARCHITECT/ENGINEER IMMEDIATELY. THIS DRAWING IS TO BE READ IN CONJUNCTION WITH ALL RELATED ARCHITECT/ ENGINEERS DRAWINGS / DETAILS AND ALL OTHER RELEVANT INFORMATION.

Notes

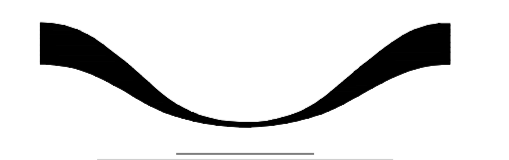
Client
-

Project
**9 Hill Road
London, NW9**

Drawing Title
KEY PLAN-GROUND FLOOR

Scale
-

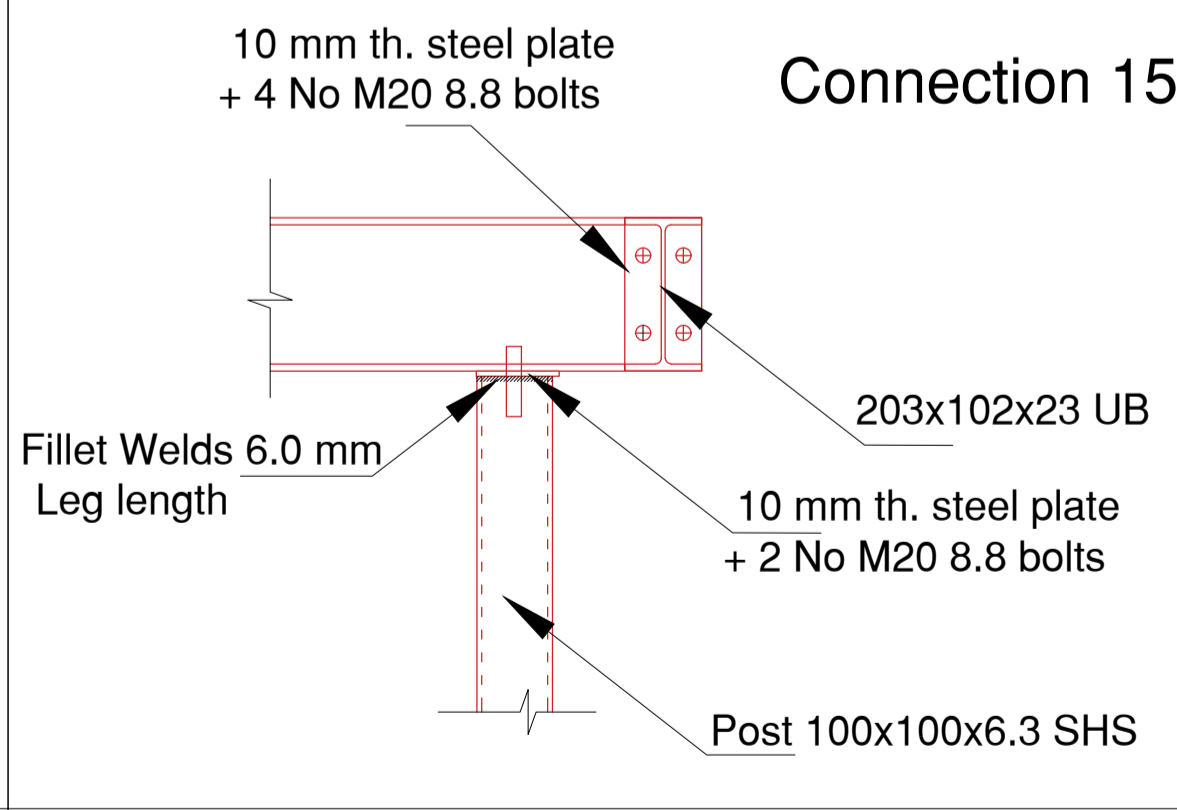
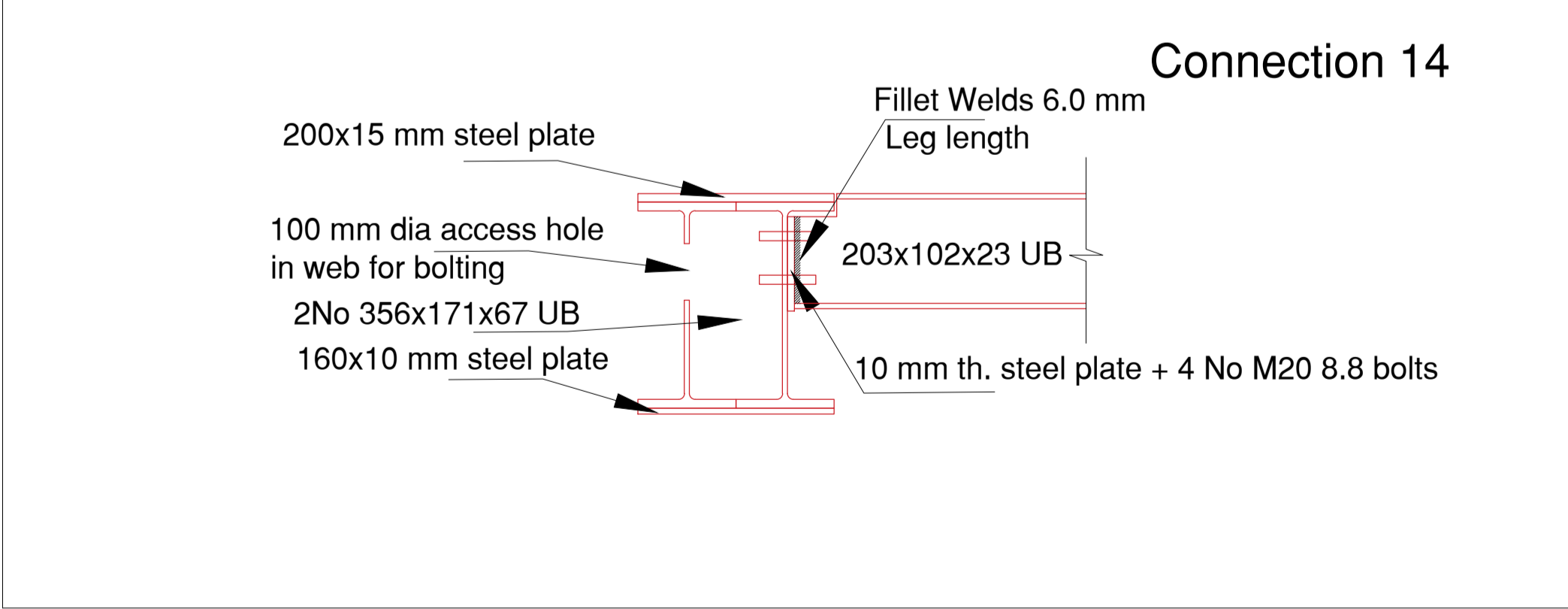
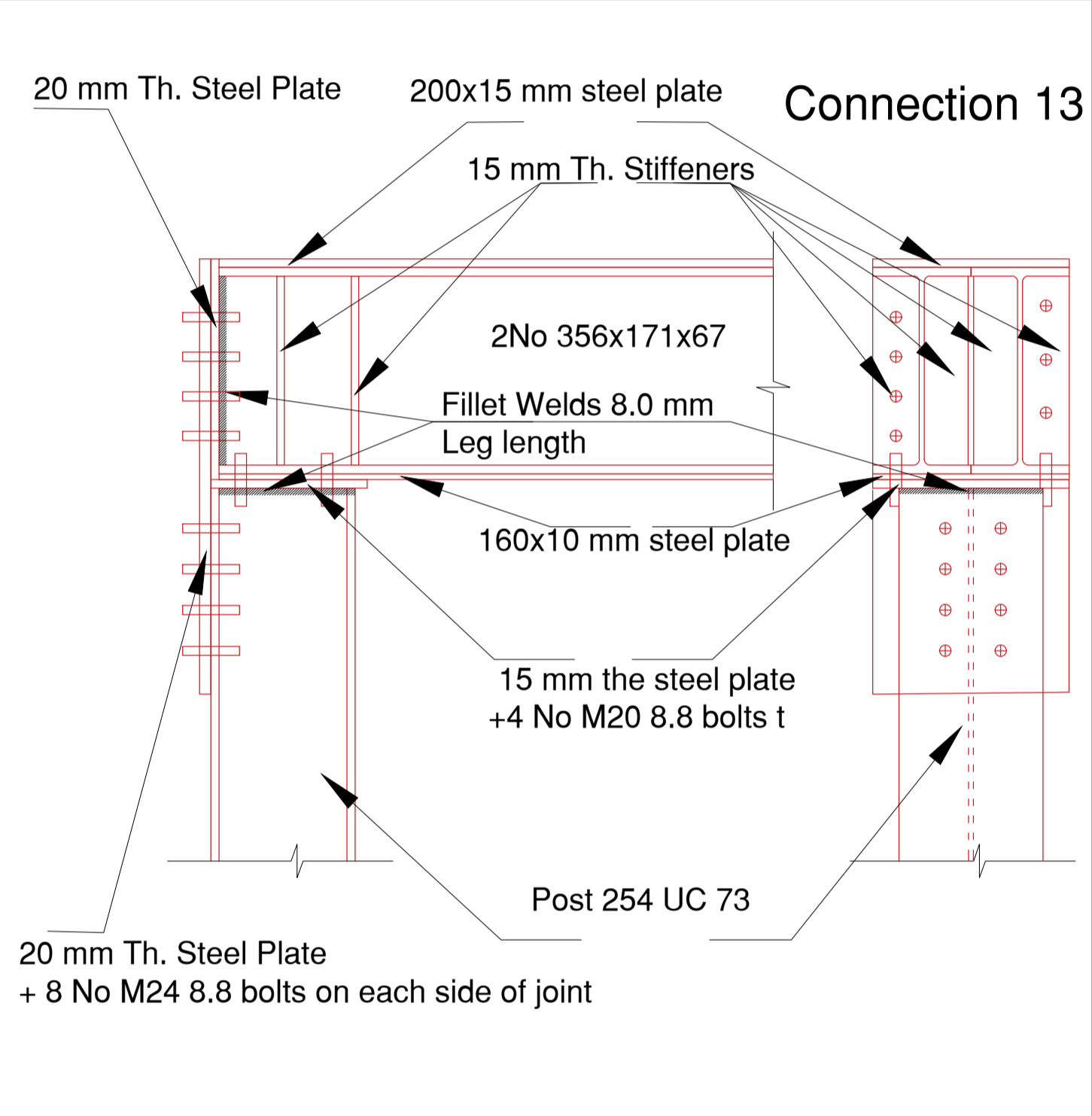
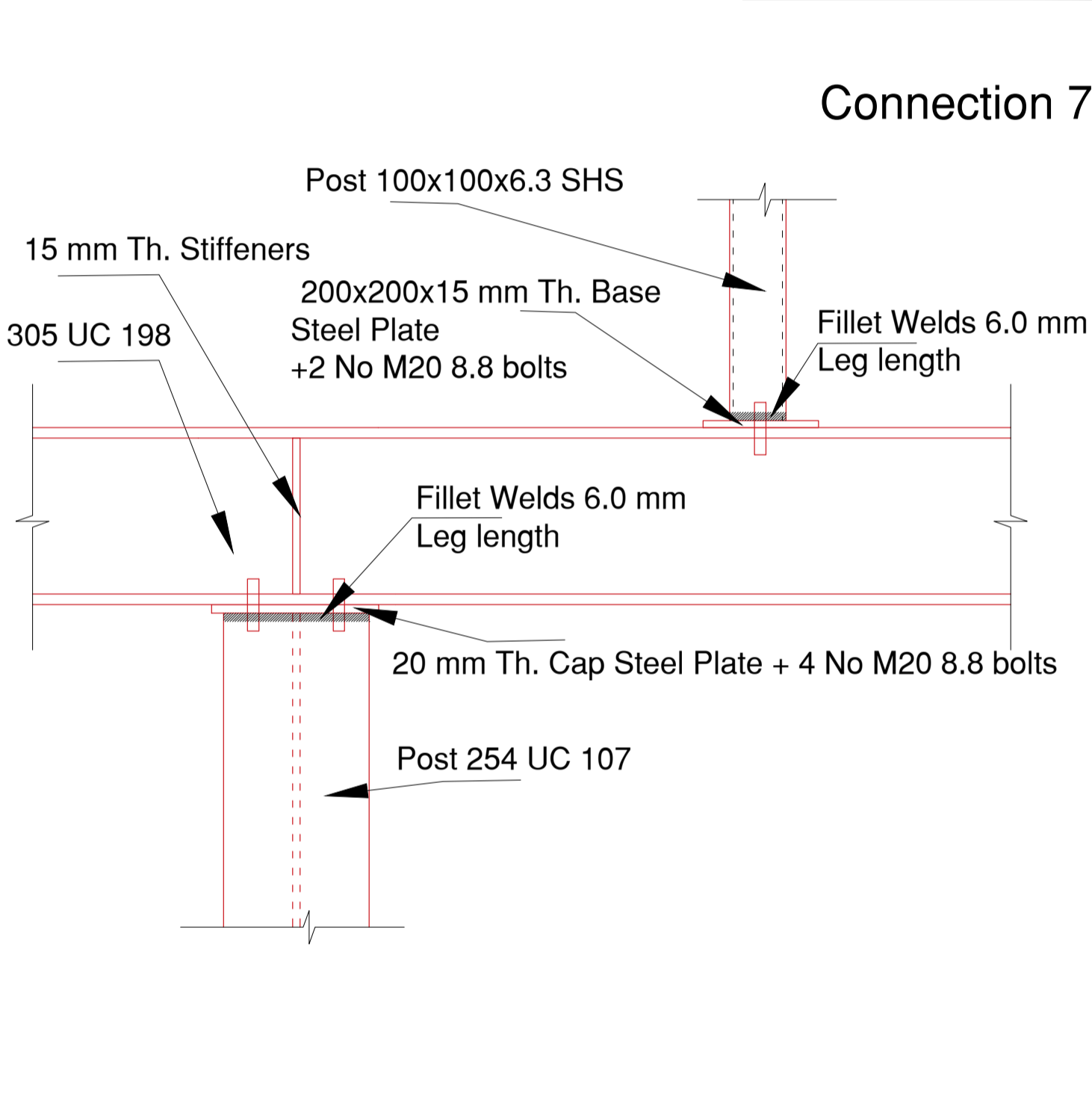
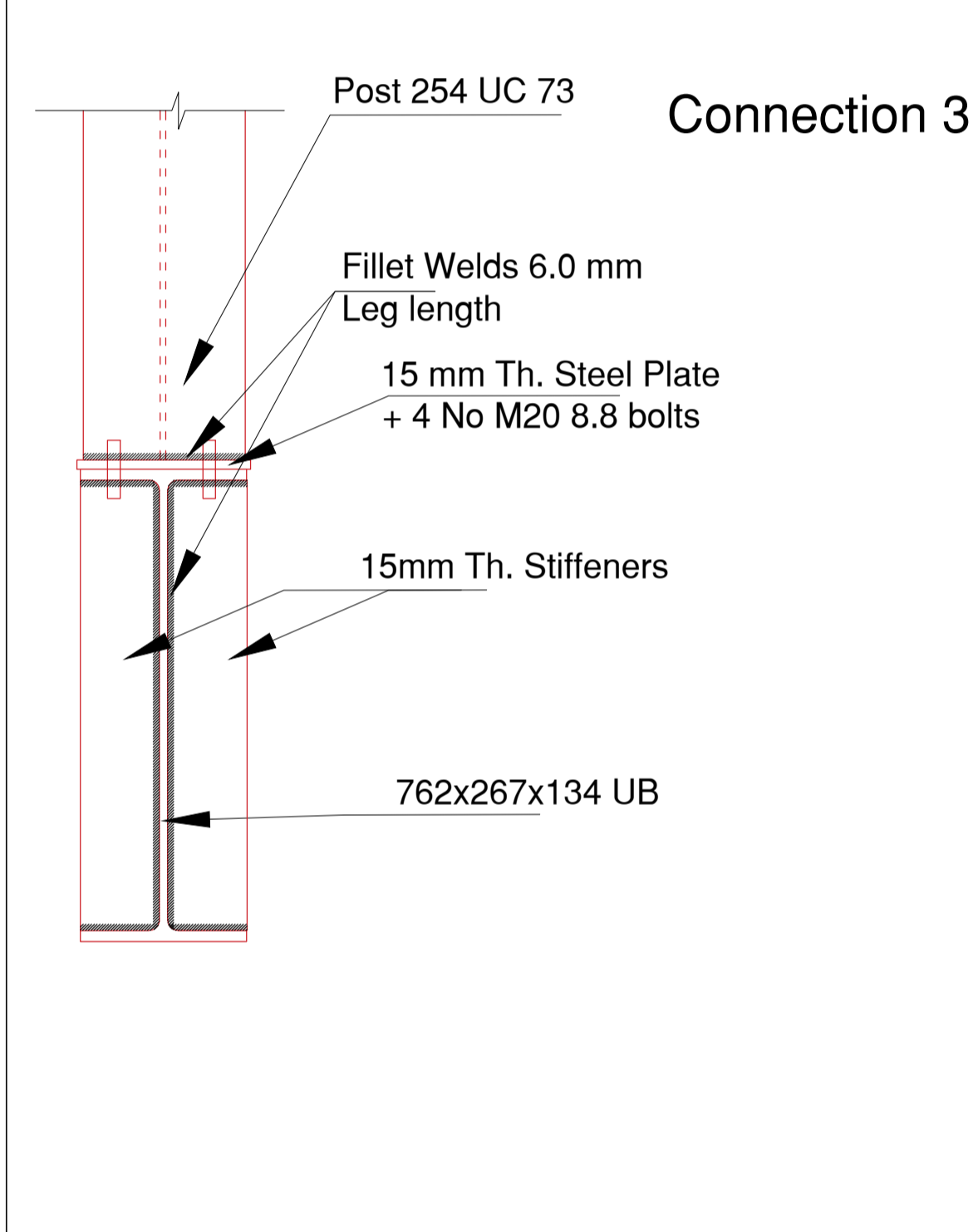
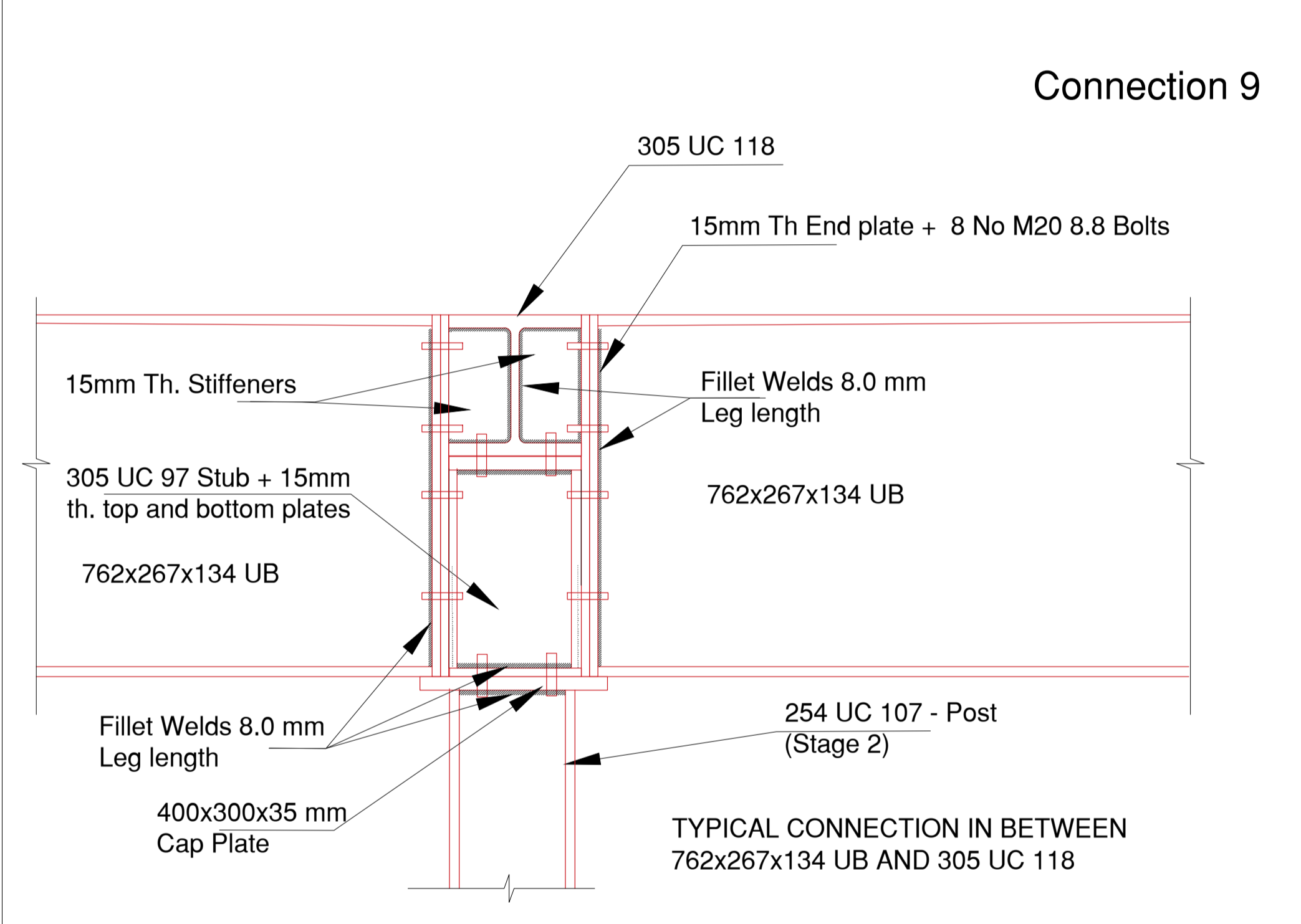
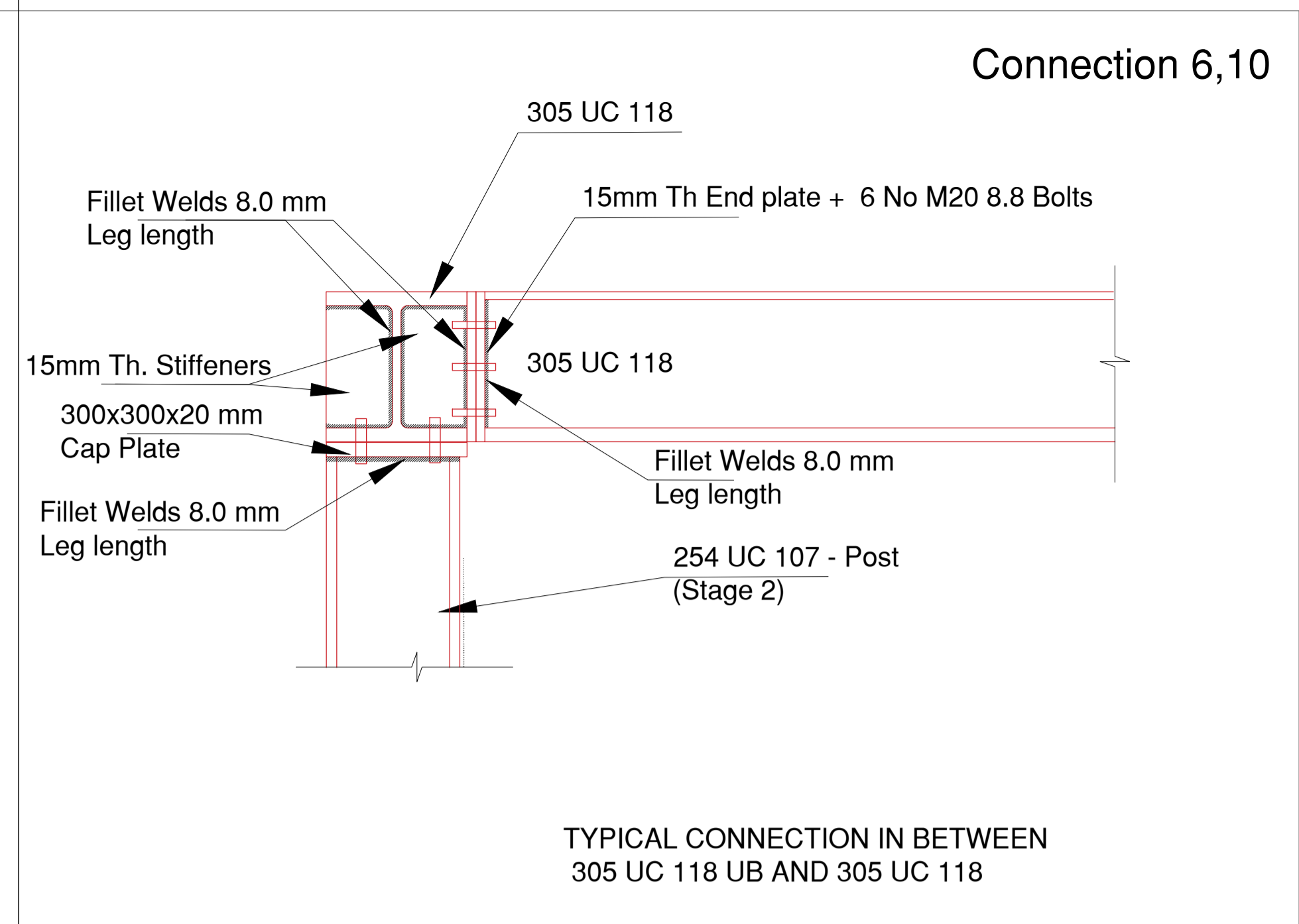
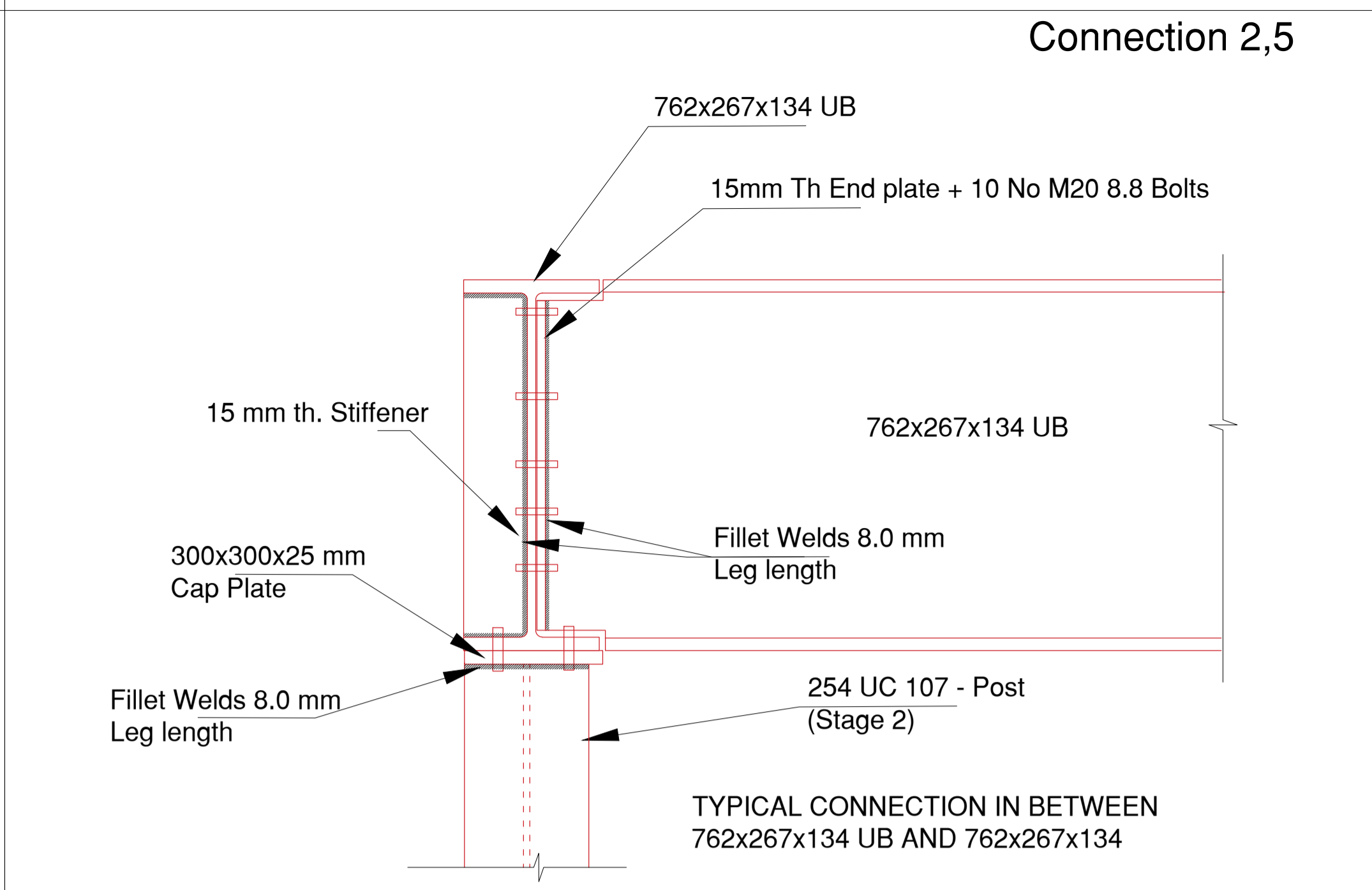
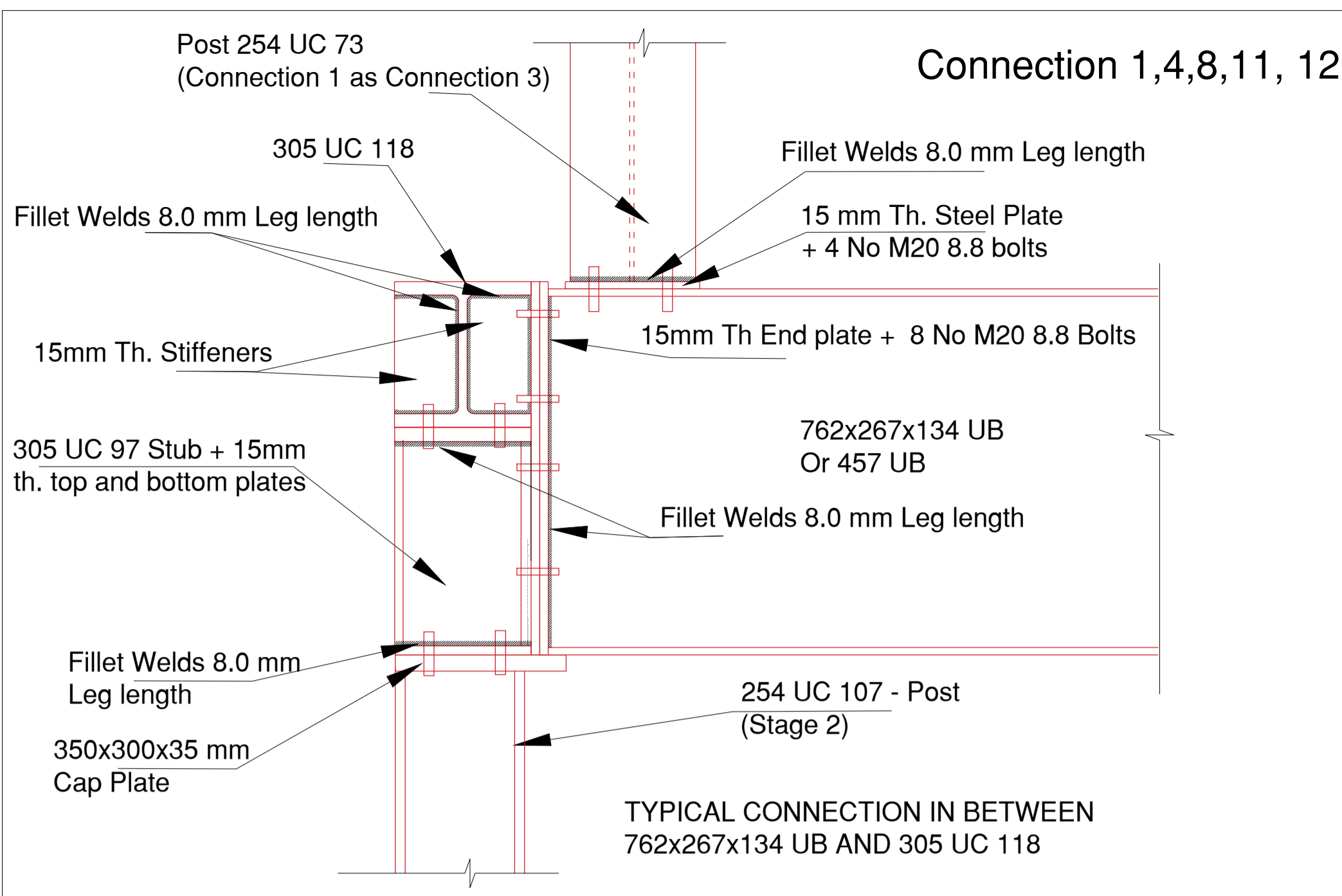
Date
Dec. 2017



LIM ENGINEERING LTD
consulting engineers

15 Kinloch Drive, London, Nw9 7LL - Tel: 020 8205 1427
Fax: 020 8205 1427

Job No. **1078** Drawing No. **02**



Issued For
Construction

General Notes

DO NOT SCALE FROM THIS DRAWING. ALL DIMENSIONS TO BE VERIFIED ON SITE BY CONTRACTOR PRIOR TO COMMENCEMENT OF ANY SHOP DRAWINGS AND ANY WORK ON SITE. REPORT ALL DISCREPANCIES TO THE ARCHITECT/ENGINEER IMMEDIATELY. THIS DRAWING IS TO BE READ IN CONJUNCTION WITH ALL RELATED ARCHITECT/ ENGINEERS DRAWINGS / DETAILS AND ALL OTHER RELEVANT INFORMATION.

Notes

**Note: Steel Grade S355
Plates Grade S275
Welds Grade S275**

Client

-

Project

9 Hill Road
London, NW9

Drawing Title

Steel Connections Details

Scale

1:20

Date

Dec. 2017

Client

LIM ENGINEERING LTD
consulting engineers

15 Kinloch Drive, London, Nw9 7LL - Tel: 020 8205 1427
Fax: 020 8205 1427

Job No.

1078

Drawing No.

03-Rev D